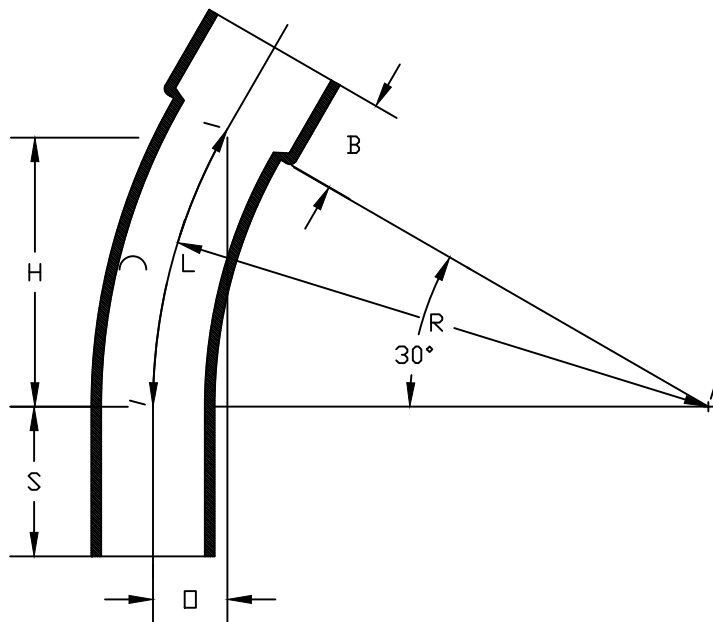


PART NUMBER	SIZE	"R"	"□"	"H"	"S" MIN	"B" MIN	"L"
5136588	6"	60"	8 1/16"	30"	3 3/4"	2 1/8"	31 7/16"



ETL LISTED
 CONFORMS TO UL651
 ETL CONTROL #3107144
 CONFORMS TO NEMA TC3
 SEE NEC ARTICLE 352 FOR USE
 MATERIAL IS RIGID PVC
 BEND TOLERANCE IS ±2°



CANTEX INC. Fort Worth, TEXAS		
30° Elbows Bell End Schedule 80 60" Radius Elbows		
Drawn By: D. Gwinn	Date: 7/14/21	Ref.