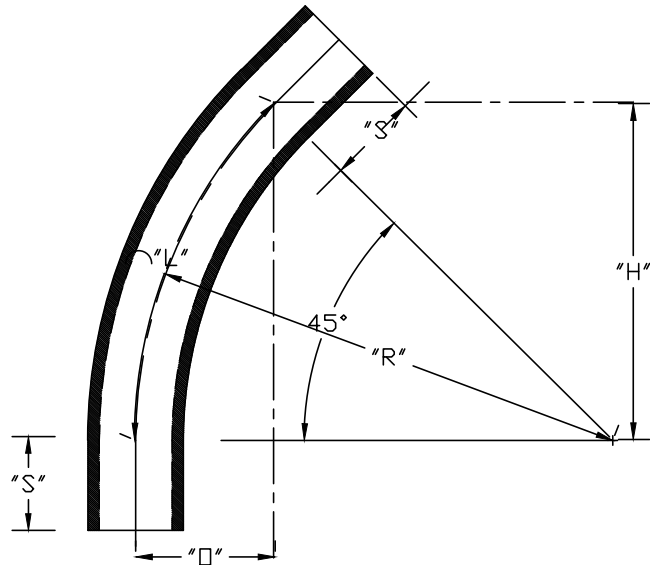


PART NUMBER	SIZE	"R"	"O"	"H"	"S" MIN	"B" MIN	"L"
5136502	1"	36"	10 1/2"	25 1/2"	1 7/8"	N/A	28 1/4"
5136514	1 1/4"	36"	10 1/2"	25 1/2"	2"	N/A	28 1/4"
5136533	1 1/2"	36"	10 1/2"	25 1/2"	2"	N/A	28 1/4"
5121098	2"	36"	10 1/2"	25 1/2"	2"	N/A	28 1/4"
5121150	2 1/2"	36"	10 1/2"	25 1/2"	3"	N/A	28 1/4"
5121077	3"	36"	10 1/2"	25 1/2"	3 1/8"	N/A	28 1/4"
5119821	4"	36"	10 1/2"	25 1/2"	3 3/8"	N/A	28 1/4"
5119820	5"	36"	10 1/2"	25 1/2"	3 5/8"	N/A	28 1/4"
5121072	6"	36"	10 1/2"	25 1/2"	3 3/4"	N/A	28 1/4"



ETL LISTED
 CONFORMS TO UL651
 ETL CONTROL #3107144
 CONFORMS TO NEMA TC3
 SEE NEC ARTICLE 352 FOR USE
 MATERIAL IS RIGID PVC
 BEND TOLERANCE IS ±2°



CANTEX
 INC.
 Fort Worth, TEXAS

45° Elbows, Plain End
 Schedule 80 36" Radius Elbows

Drawn By: D. Gwinn | Date: 2/13/19 | Ref. 5136502