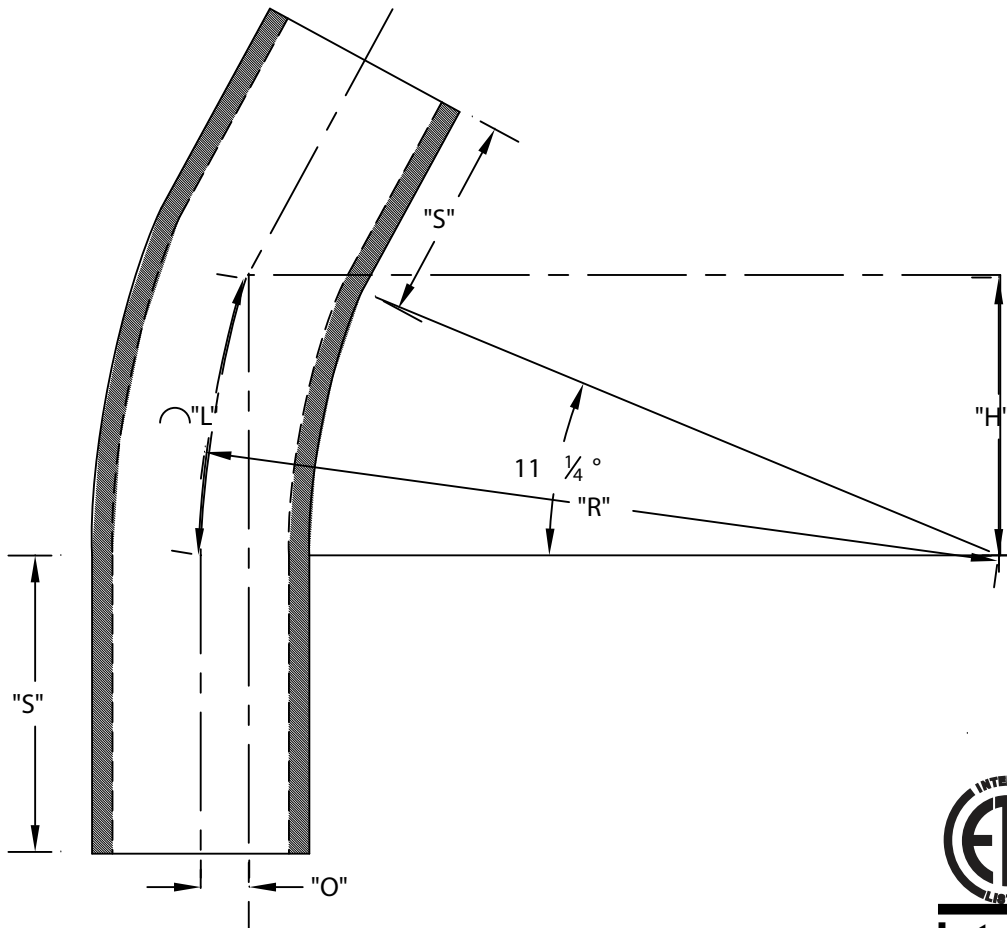


NUMBER	SIZE	"R"	"O"	"H"	"S" Min	"B" Min	"L"
5134152	2"	24"	15/32"	9 3/16"	2"	N/A	4 1/16"
5134036	3"	24"	15/32"	9 3/16"	3 1/8"	N/A	4 1/16"
5133991	4"	24"	15/32"	9 3/16"	3 3/8"	N/A	4 1/16"
5133965	5"	24"	15/32"	9 3/16"	3 5/8"	N/A	4 1/16"



ETL LISTED
 CONFORMS TO UL651
 ETL CONTROL #3107144
 CONFORMS TO NEMA TC3
 SEE NEC ARTICLE 352 FOR USE
 MATERIAL IS RIGID PVC
 BEND TOLERANCE IS $\pm 2^\circ$



CANTEX

INC.
Fort Worth, TEXAS

11 1/4° Elbows Plain End
Schedule 40 24" Radius Elbows

Drawn By: CD Branch

Date: 10/15/07

Ref.