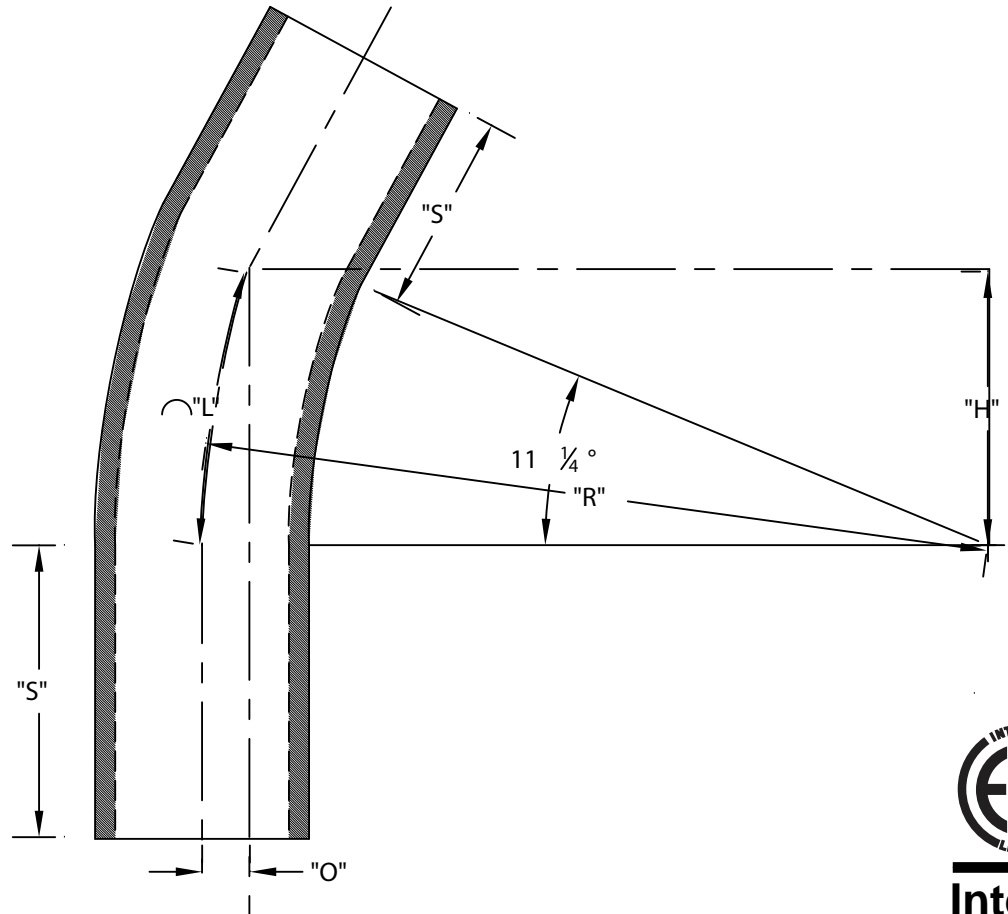



| PART NUMBER | SIZE   | "R" | "O"    | "H" | "S" MIN | "B" MIN | "L"    |
|-------------|--------|-----|--------|-----|---------|---------|--------|
| 5133996     | 1 1/4" | 36" | 1 1/6" | 7"  | 2"      | N/A     | 7 1/6" |
| 5133963     | 2"     | 36" | 1 1/6" | 7"  | 2"      | N/A     | 7 1/6" |
| 5134129     | 2 1/2" | 36" | 1 1/6" | 7"  | 3"      | N/A     | 7 1/6" |
| 5134082     | 3"     | 36" | 1 1/6" | 7"  | 3 1/8"  | N/A     | 7 1/6" |
| 5133910     | 4"     | 36" | 1 1/6" | 7"  | 3 3/8"  | N/A     | 7 1/6" |
| 5133914     | 5"     | 36" | 1 1/6" | 7"  | 3 5/8"  | N/A     | 7 1/6" |
| 5133987     | 6"     | 36" | 1 1/6" | 7"  | 3 3/4"  | N/A     | 7 1/6" |



ETL LISTED  
 CONFORMS TO UL651  
 ETL CONTROL #3107144  
 CONFORMS TO NEMA TC3  
 SEE NEC ARTICLE 352 FOR USE  
 MATERIAL IS RIGID PVC  
 BEND TOLERANCE IS ±2°



|                                                                                                                                     |                |      |
|-------------------------------------------------------------------------------------------------------------------------------------|----------------|------|
| <br><b>CANTEX</b><br>INC.<br>Fort Worth, TEXAS |                |      |
| 11 1/4° Elbows Plain End<br>Schedule 40 36" Radius Elbows                                                                           |                |      |
| Drawn By: CD Branch                                                                                                                 | Date: 10/15/07 | Ref. |