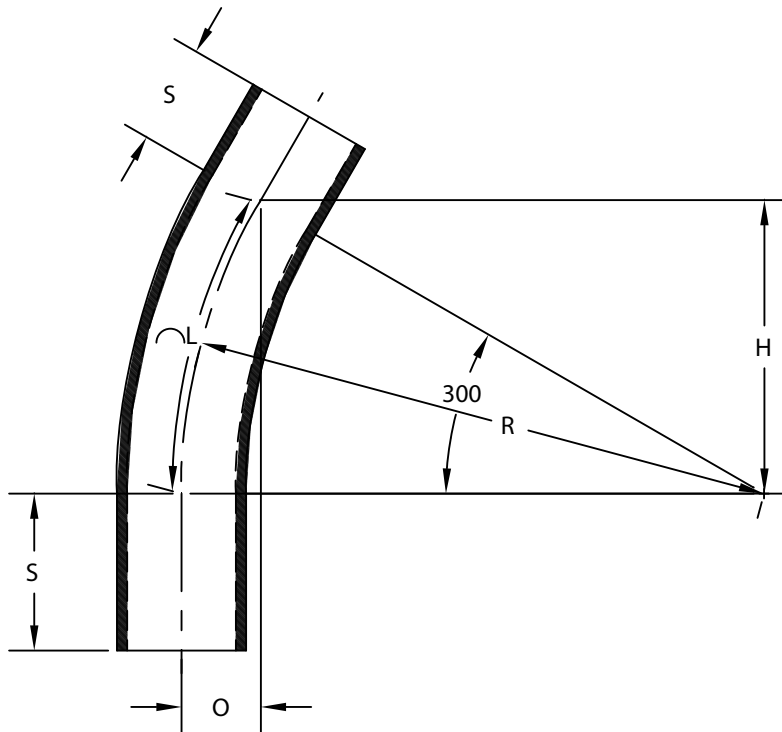


PART NUMBER	SIZE	"R"	"O"	"H"	"S" MIN	"B" MIN	"L"
5136435	1"	24"	3 3/16 "	12"	1 7/8"	N/A	12 9/16 "
5133913	1 1/4 "	24"	3 3/16 "	12"	2"	N/A	12 9/16 "
5133803	1 1/2 "	24"	3 3/16 "	12"	2"	N/A	12 9/16 "
5133796	2"	24"	3 3/16 "	12"	2"	N/A	12 9/16 "
5133957	2 1/2 "	24"	3 3/16 "	12"	3"	N/A	12 9/16 "
5133958	3"	24"	3 3/16 "	12"	3 1/8 "	N/A	12 9/16 "
5133788	4"	24"	3 3/16 "	12"	3 3/8 "	N/A	12 9/16 "



ETL LISTED
 CONFORMS TO UL651
 ETL CONTROL #3107144
 CONFORMS TO NEMA TC3
 SEE NEC ARTICLE 352 FOR USE
 MATERIAL IS RIGID PVC
 BEND TOLERANCE IS $\pm 2^\circ$



CANTEX
 INC.
 Fort Worth, TEXAS

30° Elbows Plain End
 Schedule 40 24" Radius Elbows

Drawn By: CD Branch

Date: 10/15/07

Ref.