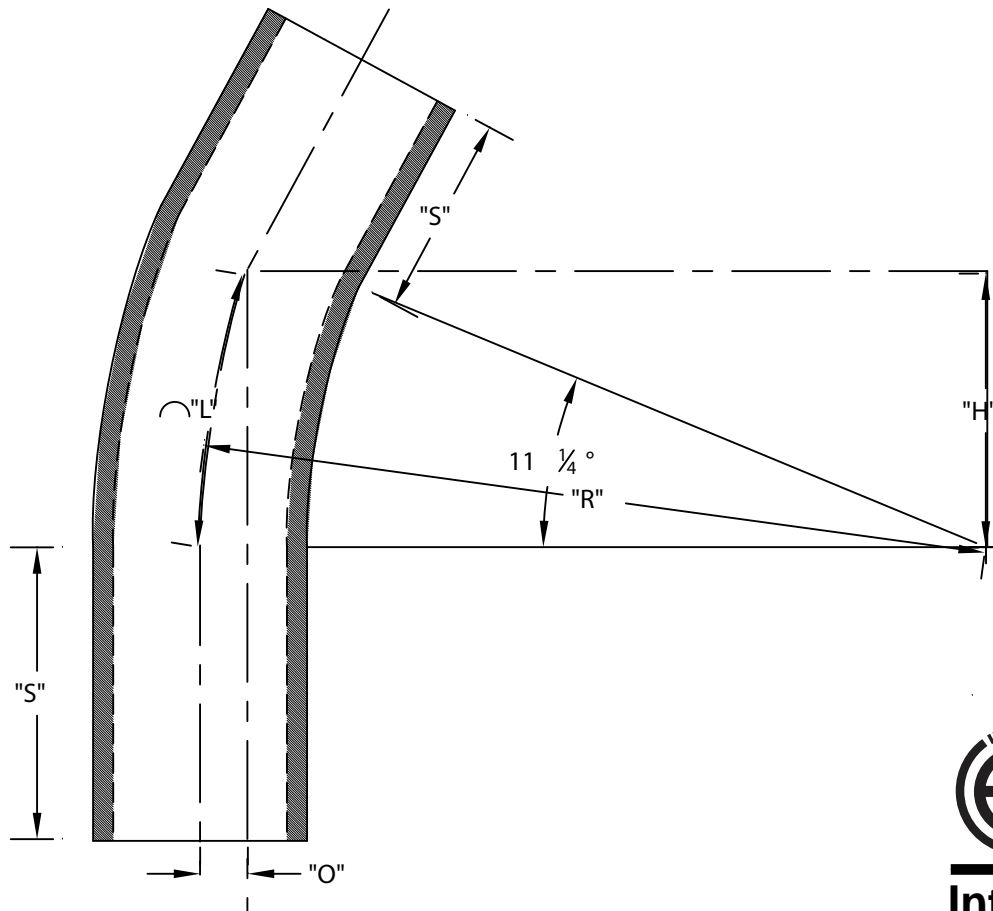


PART NUMBER	SIZE	"R"	"O"	"H"	"S" MIN	"B" MIN	"L"
5133996	1 1/4"	36"	1 1/6"	7"	2"	N/A	7 1/6"
5133963	2"	36"	1 1/6"	7"	2"	N/A	7 1/6"
5134129	2 1/2"	36"	1 1/6"	7"	3"	N/A	7 1/6"
5134082	3"	36"	1 1/6"	7"	3 1/8"	N/A	7 1/6"
5133910	4"	36"	1 1/6"	7"	3 3/8"	N/A	7 1/6"
5133914	5"	36"	1 1/6"	7"	3 5/8"	N/A	7 1/6"
5133987	6"	36"	1 1/6"	7"	3 3/4"	N/A	7 1/6"



ETL LISTED  
 CONFORMS TO UL651  
 ETL CONTROL #3107144  
 CONFORMS TO NEMA TC3  
 SEE NEC ARTICLE 352 FOR USE  
 MATERIAL IS RIGID PVC  
 BEND TOLERANCE IS ±2°



**CANTEX**

INC.  
 Fort Worth, TEXAS

11 1/4° Elbows Plain End  
 Schedule 40 36" Radius Elbows

Drawn By: CD Branch

Date: 10/15/07

Ref.