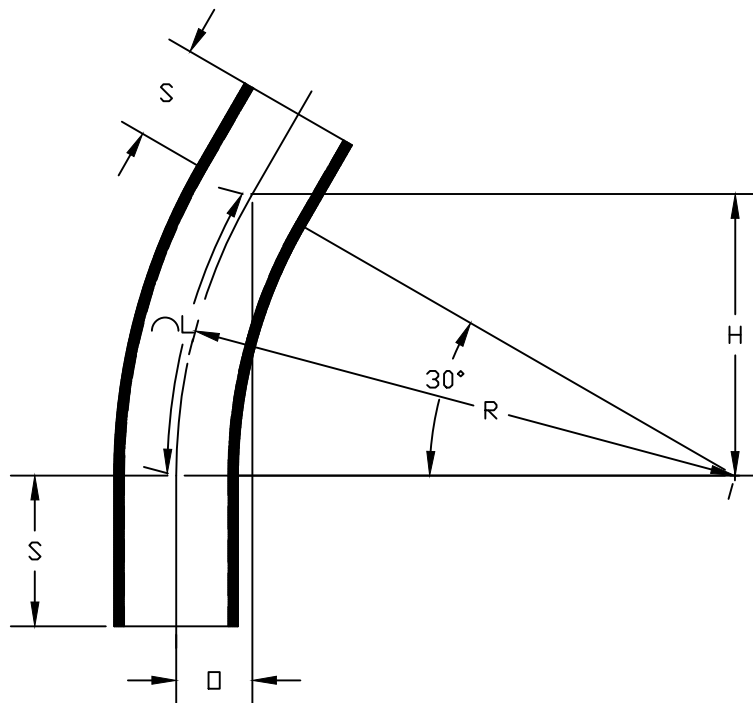


PART NUMBER	SIZE	"R"	"□"	"H"	"S" MIN	"B" MIN	"L"
5136342	1"	30"	4"	15"	1 7/8"	N/A	15 1/16"
5136346	1 1/4"	30"	4"	15"	2"	N/A	15 1/16"
5136349	1 1/2"	30"	4"	15"	2"	N/A	15 1/16"
5136350	2"	30"	4"	15"	2"	N/A	15 1/16"
5136351	2 1/2"	30"	4"	15"	3"	N/A	15 1/16"
5136495	3"	30"	4"	15"	3 1/8"	N/A	15 1/16"
5136353	3 1/2"	30"	4"	15"	3 1/4"	N/A	15 1/16"
5133898	4"	30"	4"	15"	3 3/8"	N/A	15 1/16"
5133899	5"	30"	4"	15"	3 5/8"	N/A	15 1/16"



ETL LISTED
 CONFORMS TO UL651
 ETL CONTROL #3107144
 CONFORMS TO NEMA TC3
 SEE NEC ARTICLE 352 FOR USE
 MATERIAL IS RIGID PVC
 BEND TOLERANCE IS ±2°



CANTEX INC. Fort Worth, TEXAS		
30° Elbows, Plain End Schedule 40 30" Radius Elbows		
Drawn By: O.M.	Date: 5/12/17	Ref. 5136342