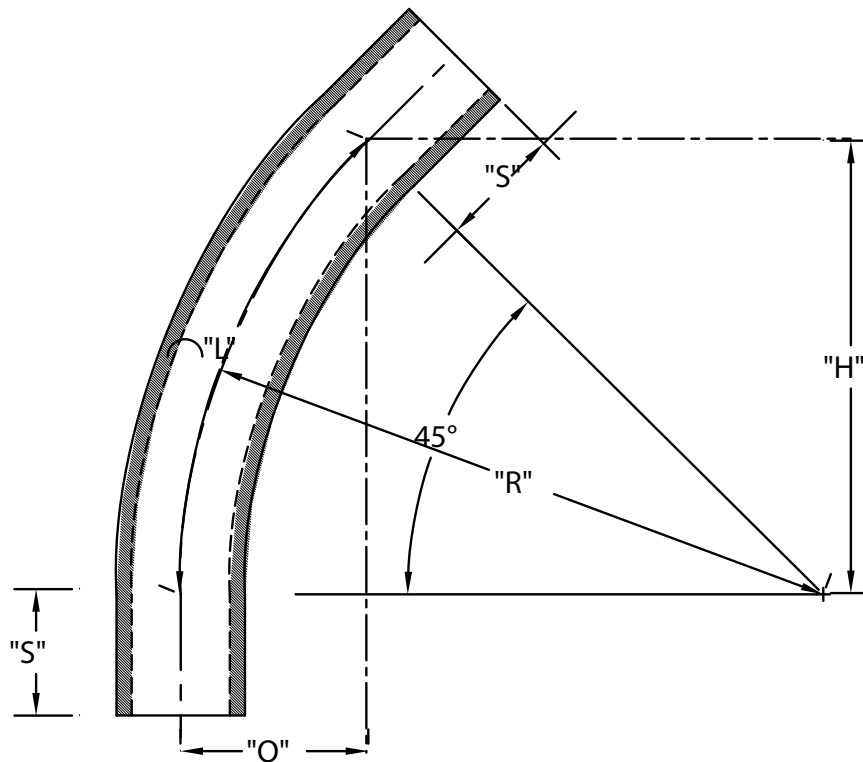


PART NUMBER	SIZE	"R"	"O"	"H"	"S" MIN	"L"
5133918	2"	30"	8 1/16"	21 1/4"	2"	23 9/16"
5133897	3"	30"	8 1/16"	21 1/4"	3 1/8"	23 9/16"
5133953	4"	30"	8 1/16"	21 1/4"	3 3/8"	23 9/16"
5133954	5"	30"	8 1/16"	21 1/4"	3 5/8"	23 9/16"



ETL LISTED  
 CONFORMS TO UL651  
 ETL CONTROL #3107144  
 CONFORMS TO NEMA TC3  
 SEE NEC ARTICLE 352 FOR USE  
 MATERIAL IS RIGID PVC  
 BEND TOLERANCE IS  $\pm 2^\circ$



<b>CANTEX</b> INC. Fort Worth, TEXAS		
45° Elbows Plain End Schedule 40 30" Radius Elbows		
Drawn By: CD Branch	Date: 10/15/07	Ref.