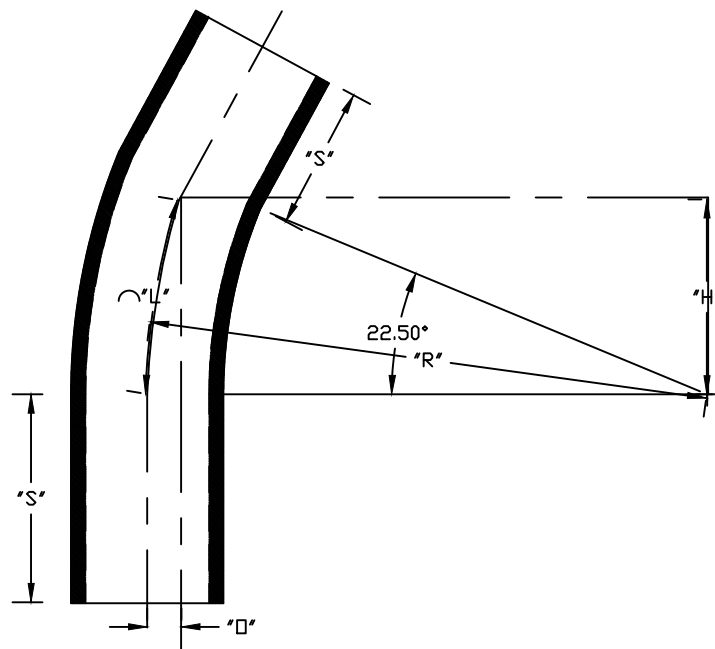


PART NUMBER	SIZE	"R"	"O"	"H"	"S" MIN	"B" MIN	"L"
5133944	1"	18"	1 $\frac{3}{8}$ "	6 $\frac{7}{8}$ "	1 $\frac{7}{8}$ "	N/A	7 $\frac{1}{6}$ "
5136424	1 $\frac{1}{4}$ "	18"	1 $\frac{3}{8}$ "	6 $\frac{7}{8}$ "	2"	N/A	7 $\frac{1}{6}$ "
5133908	1 $\frac{1}{2}$ "	18"	1 $\frac{3}{8}$ "	6 $\frac{7}{8}$ "	2"	N/A	7 $\frac{1}{6}$ "
5133879	2"	18"	1 $\frac{3}{8}$ "	6 $\frac{7}{8}$ "	2"	N/A	7 $\frac{1}{6}$ "
5133936	2 $\frac{1}{2}$ "	18"	1 $\frac{3}{8}$ "	6 $\frac{7}{8}$ "	3"	N/A	7 $\frac{1}{6}$ "
5133845	3"	18"	1 $\frac{3}{8}$ "	6 $\frac{7}{8}$ "	3 $\frac{1}{8}$ "	N/A	7 $\frac{1}{6}$ "



ETL LISTED
 CONFORMS TO UL651
 ETL CONTROL #3107144
 CONFORMS TO NEMA TC3
 SEE NEC ARTICLE 352 FOR USE
 MATERIAL IS RIGID PVC
 BEND TOLERANCE IS $\pm 2^\circ$



CANTEX INC. Fort Worth, TEXAS		
22-1/2° Elbows Plain End Schedule 40 18" Radius Elbows		
Drawn By: O.M.	Date: 5/12/17	Ref. 5133944