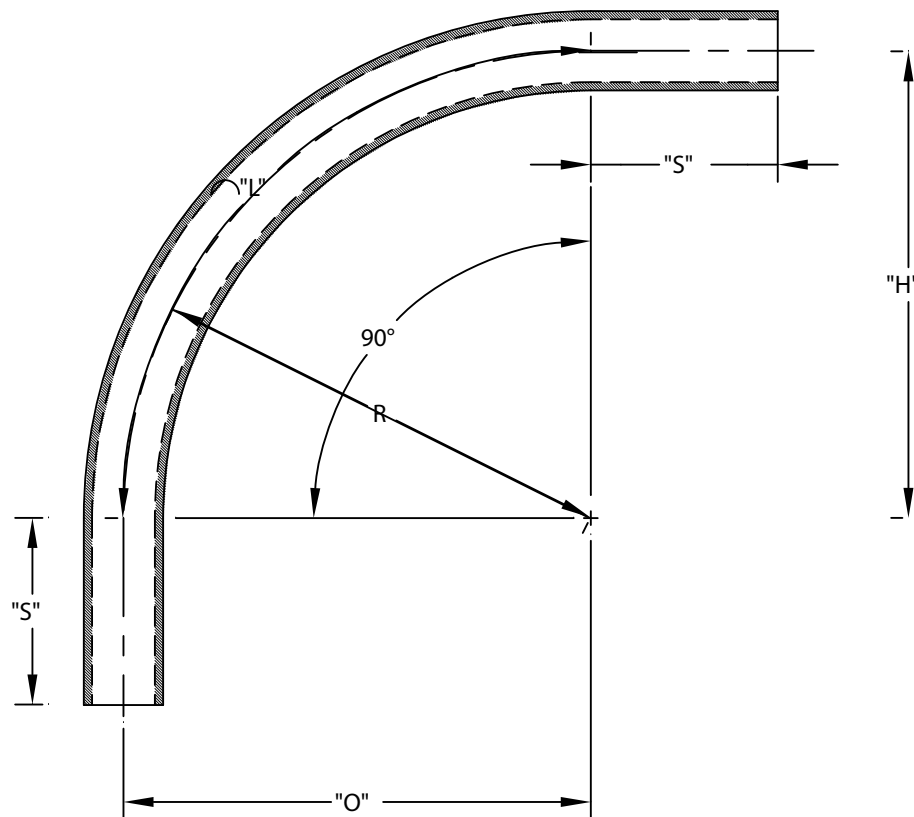


| PART NUMBER | SIZE | "R" | "O" | "H" | "S" MIN | "B" MIN | "L" |
|-------------|--------|-----|-----|-----|---------|---------|---------|
| 5133786 | 2" | 60" | 60" | 60" | 2" | N/A | 94 1/4" |
| 5134046 | 2 1/2" | 60" | 60" | 60" | 3" | N/A | 94 1/4" |
| 5133819 | 3" | 60" | 60" | 60" | 3 1/8" | N/A | 94 1/4" |
| 5133925 | 3 1/2" | 60" | 60" | 60" | 3 1/4" | N/A | 94 1/4" |
| 5133854 | 4" | 60" | 60" | 60" | 3 3/8" | N/A | 94 1/4" |
| 5133885 | 5" | 60" | 60" | 60" | 3 5/8" | N/A | 94 1/4" |
| 5133886 | 6" | 60" | 60" | 60" | 3 3/4" | N/A | 94 1/4" |



ETL LISTED
 CONFORMS TO UL651
 ETL CONTROL #3107144
 CONFORMS TO NEMA TC3
 SEE NEC ARTICLE 352 FOR USE
 MATERIAL IS RIGID PVC
 BEND TOLERANCE IS ±2°



CANTEX

INC.
 Fort Worth, TEXAS

90° Elbows Plain End
 Schedule 40 60" Radius Elbows

Drawn By: CD Branch

Date: 10/15/07

Ref.