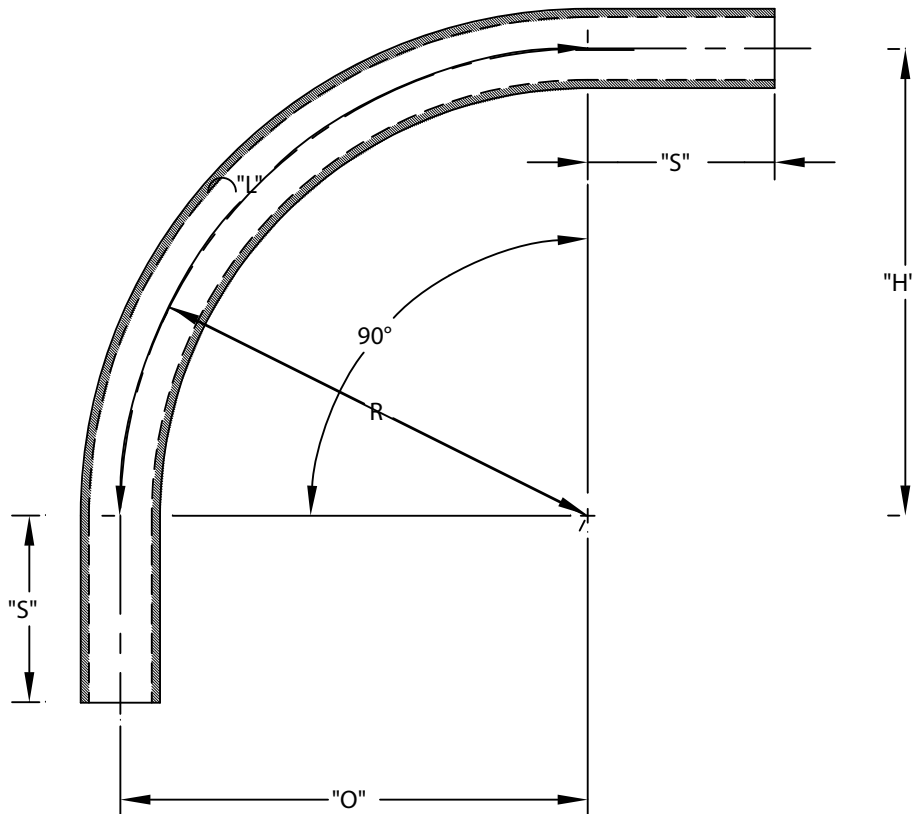


PART NUMBER	SIZE	"R"	"O"	"H"	"S" MIN	"B" MIN	"L"
5133823	1/2"	4"	4"	4"	1 1/2"	N/A	6 1/4"
5133824	3/4"	4 1/2"	4 1/2"	4 1/2"	1 1/2"	N/A	7 1/8"
5133825	1"	5 3/4"	5 3/4"	5 3/4"	1 7/8"	N/A	9"
5133826	1 1/4"	7 1/4"	7 1/4"	7 1/4"	2"	N/A	11 3/8"
5133827	1 1/2"	8 1/4"	8 1/4"	8 1/4"	2"	N/A	13"
5133828	2"	9 1/2"	9 1/2"	9 1/2"	2"	N/A	15"
5133829	2 1/2"	10 1/2"	10 1/2"	10 1/2"	3"	N/A	16 1/2"
5133830	3"	13"	13"	13"	3 1/8"	N/A	20 3/8"
5133831	3 1/2"	15"	15"	15"	3 1/4"	N/A	23 1/2"
5133832	4"	16"	16"	16"	3 3/8"	N/A	25 1/8"
5133835	5"	24"	24"	24"	3 5/8"	N/A	37 5/8"
5133834	6"	30"	30"	30"	3 3/4"	N/A	47 1/8"



ETL LISTED
 CONFORMS TO UL651
 ETL CONTROL #3107144
 CONFORMS TO NEMA TC3
 SEE NEC ARTICLE 352 FOR USE
 MATERIAL IS RIGID PVC
 BEND TOLERANCE IS $\pm 2^\circ$



CANTEX
 INC.
 Fort Worth, TEXAS

90° Elbows Plain End
 Schedule 40 Standard Radius Elbows

Drawn By: CD Branch

Date: 10/15/07

Ref.