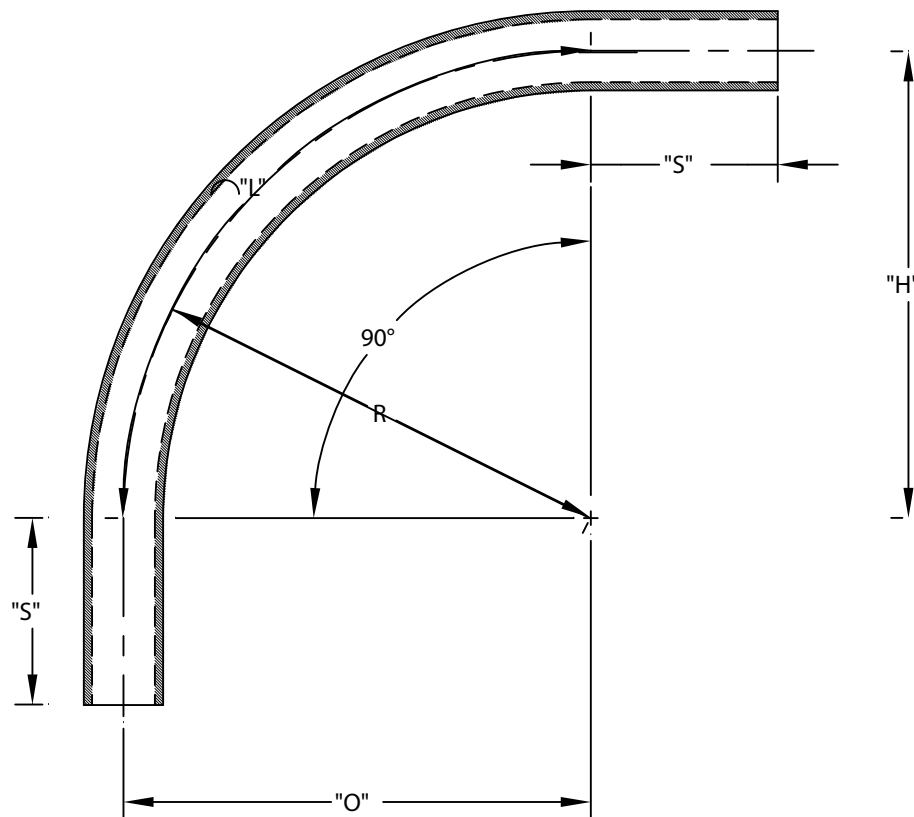


PART NUMBER	SIZE	"R"	"O"	"H"	"S" MIN	"B" MIN	"L"
5133786	2"	60"	60"	60"	2"	N/A	94 1/4"
5134046	2 1/2"	60"	60"	60"	3"	N/A	94 1/4"
5133819	3"	60"	60"	60"	3 1/8"	N/A	94 1/4"
5133925	3 1/2"	60"	60"	60"	3 1/4"	N/A	94 1/4"
5133854	4"	60"	60"	60"	3 3/8"	N/A	94 1/4"
5133885	5"	60"	60"	60"	3 5/8"	N/A	94 1/4"
5133886	6"	60"	60"	60"	3 3/4"	N/A	94 1/4"



ETL LISTED
 CONFORMS TO UL651
 ETL CONTROL #3107144
 CONFORMS TO NEMA TC3
 SEE NEC ARTICLE 352 FOR USE
 MATERIAL IS RIGID PVC
 BEND TOLERANCE IS ±2°



CANTEX

INC.
 Fort Worth, TEXAS

90° Elbows Plain End
 Schedule 40 60" Radius Elbows

Drawn By: CD Branch

Date: 10/15/07

Ref.