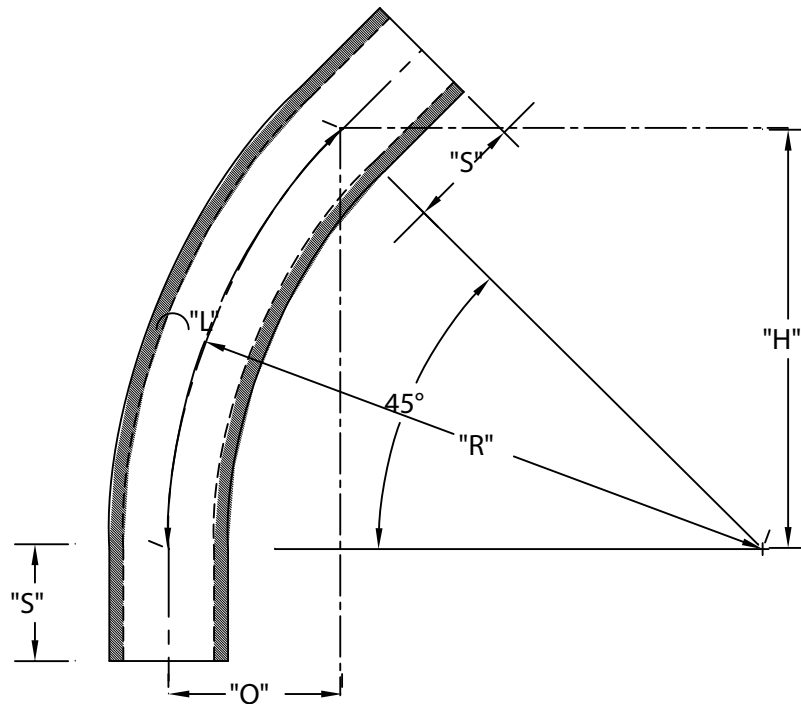


PART NUMBER	SIZE	"R"	"O"	"H"	"S" MIN	"B" MIN	"L"
5133942	1 ¼ "	48"	14"	34"	2"	N/A	37 1/16 "
5133811	1 ½ "	48"	14"	34"	2"	N/A	37 1/16 "
5133798	2"	48"	14"	34"	2"	N/A	37 1/16 "
5133781	3"	48"	14"	34"	3 ⅛ "	N/A	37 1/16 "
5133776	4"	48"	14"	34"	3 ¾ "	N/A	37 1/16 "
5133814	5"	48"	14"	34"	3 ⅝ "	N/A	37 1/16 "
5133813	6"	48"	14"	34"	3 ¾ "	N/A	37 1/16 "
5133989D*	8"	48"	14"	34"	6 ⅝ "	N/A	37 1/16 "

* Not ETL Listed



ETL LISTED
 CONFORMS TO UL651
 ETL CONTROL #3107144
 CONFORMS TO NEMA TC3
 SEE NEC ARTICLE 352 FOR USE
 MATERIAL IS RIGID PVC
 BEND TOLERANCE IS ±2°



CANTEX
 INC.
 Fort Worth, TEXAS

45° Elbows Plain End
 Schedule 40 48" Radius Elbows

Drawn By: CD Branch

Date: 10/15/07

Ref.