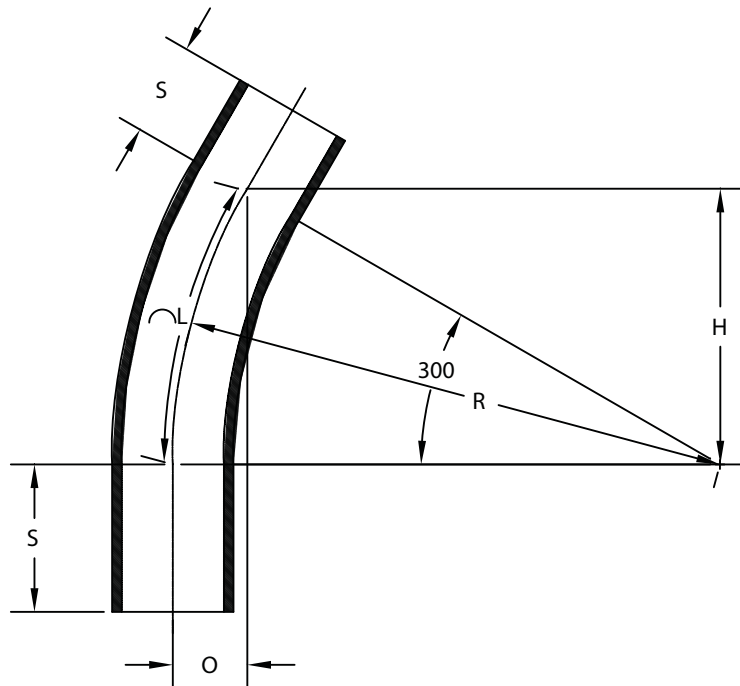


PART NUMBER	SIZE	"R"	"O"	"H"	"S" MIN	"B" MIN	"L"
5133755	½ "	4"	½ "	2"	1 ½ "	N/A	2 ⅛ "
5133744	¾ "	4 ½ "	⅝ "	2 ¼ "	1 ½ "	N/A	2 ⅜ "
5133745	1"	5 ¾ "	¾ "	2 ⅞ "	1 ⅞ "	N/A	3"
5133746	1 ¼ "	7 ¼ "	1"	3 ⅝ "	2"	N/A	3 ⅓ "
5133747	1 ½ "	8 ¼ "	1 ⅙ "	4 ⅛ "	2"	N/A	4 ⅝ "
5133748	2"	9 ½ "	1 ¼ "	4 ¾ "	2"	N/A	5"
5133749	2 ½ "	10 ½ "	1 ⅞ "	5 ¼ "	3"	N/A	5 ½ "
5133750	3"	13	1 ¾ "	6 ½ "	3 ⅛ "	N/A	6 ⅓ "
5133751	3 ½ "	15	2"	7 ⅞ "	3 ¼ "	N/A	7 ⅞ "
5133775	4"	16	2 ⅙ "	8"	3 ⅜ "	N/A	8 ⅜ "
5133753	5"	24	3 ⅜ "	12"	3 ⅝ "	N/A	12 ⅞ "
5133754	6"	30	4"	15"	3 ¾ "	N/A	15 ⅙ "



ETL LISTED
 CONFORMS TO UL651
 ETL CONTROL #3107144
 CONFORMS TO NEMA TC3
 SEE NEC ARTICLE 352 FOR USE
 MATERIAL IS RIGID PVC
 BEND TOLERANCE IS ±2°



3107144
 Rigid PVC Conduit
 MAX 90° C Wire

CANTEX
 INC

Fort Worth, TEXAS

30° Elbows Plain End
 Schedule 40 Standard Radius Elbows

Drawn By: CD Branch

Date: 10/15/07

Ref.