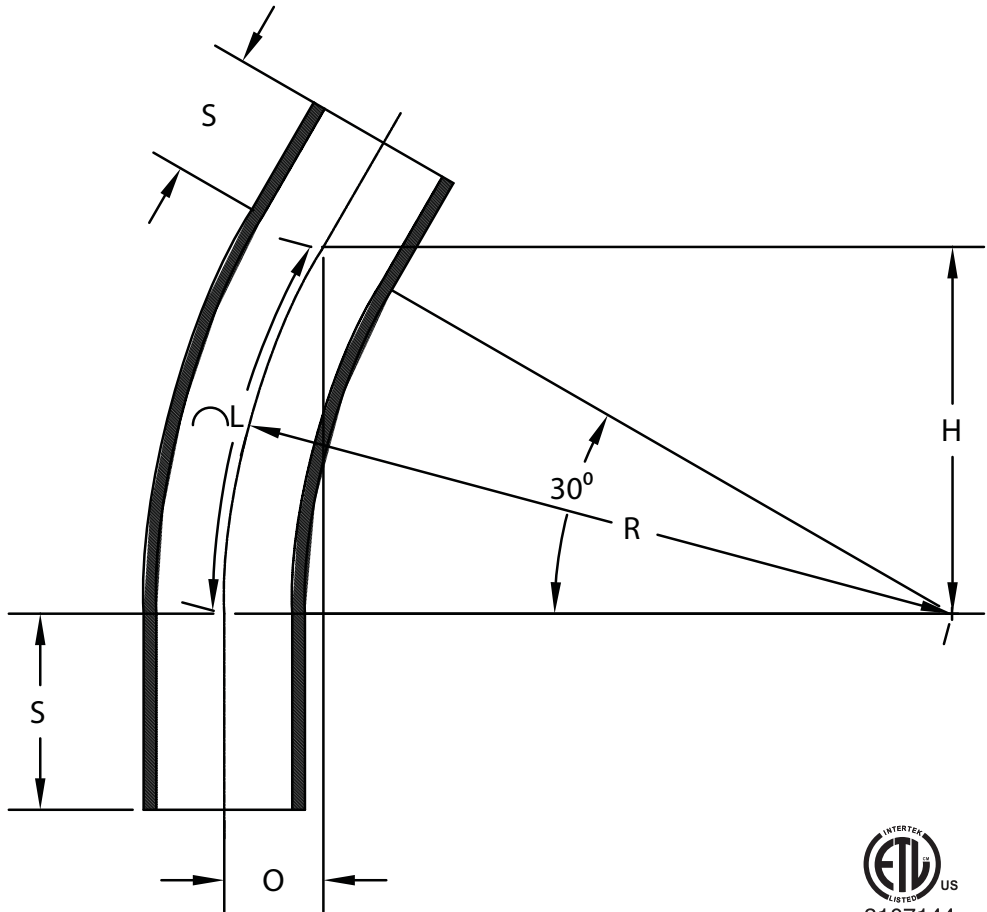


PART NUMBER	SIZE	"R"	"O"	"H"	"S" MIN	"B" MIN	"L"
5133789	2"	18"	2 $\frac{7}{16}$ "	9 $\frac{1}{16}$ "	2"	N/A	9 $\frac{7}{16}$ "
5133752	2 $\frac{1}{2}$ "	18"	2 $\frac{7}{16}$ "	9 $\frac{1}{16}$ "	3"	N/A	9 $\frac{7}{16}$ "
5133969	3"	18"	2 $\frac{7}{16}$ "	9 $\frac{1}{16}$ "	3 $\frac{1}{8}$ "	N/A	9 $\frac{7}{16}$ "



ETL LISTED
 CONFORMS TO UL651
 ETL CONTROL #3107144
 CONFORMS TO NEMA TC3
 SEE NEC ARTICLE 352 FOR USE
 MATERIAL IS RIGID PVC
 BEND TOLERANCE IS $\pm 2^\circ$



3107144
 Rigid PVC Conduit
 MAX 90° C Wire

CANTEX
 INC

Fort Worth, TEXAS

30° Elbows Plain End
 Schedule 40 18" Radius Elbows

Drawn By: CD Branch

Date: 10/15/07

Ref.