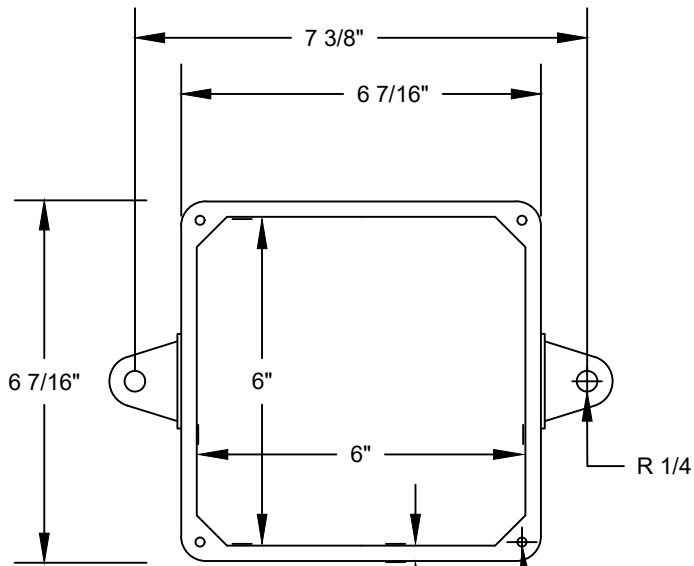
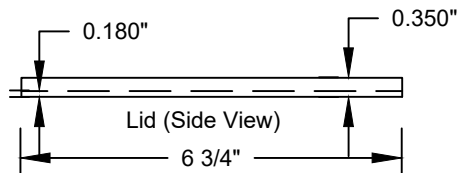


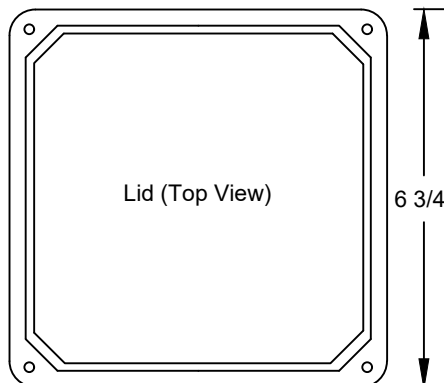
Box (Side View)



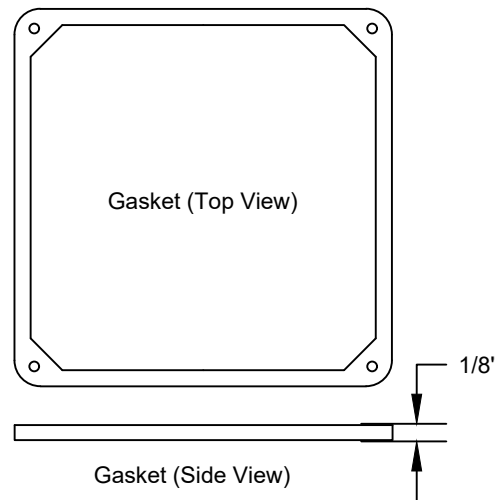
Box (Top View)



Lid (Side View)

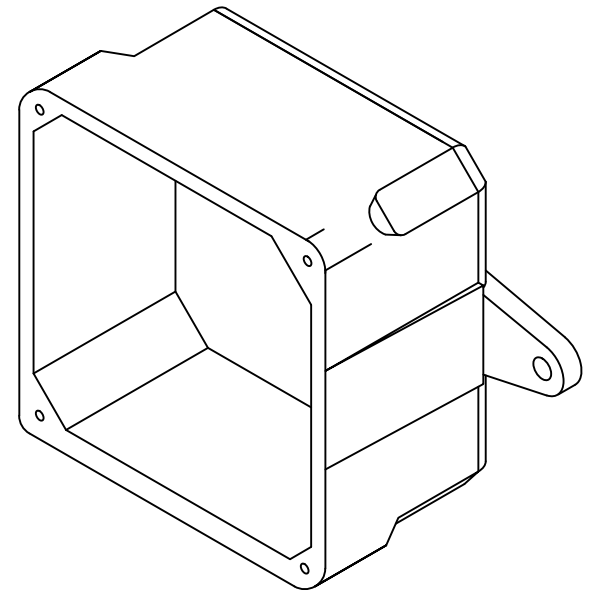


Lid (Top View)

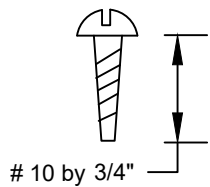


Gasket (Top View)

Gasket (Side View)



UL Listed
 Marine Listed
 UL File # E205935 (QCUP)
 UL Control # 92CM
 Material is Rigid PVC
 132 cu in Volume (2163 cu cm)
 Screws are Zinc Plated Steel
 Gasket is neoprene



10 by 3/4"

CANTEX
 INC.
 Fort Worth, TEXAS

Junction Box 6 x 6 x 4

Drawn By: D. Gwinn

Date: 10/16/20

5133710