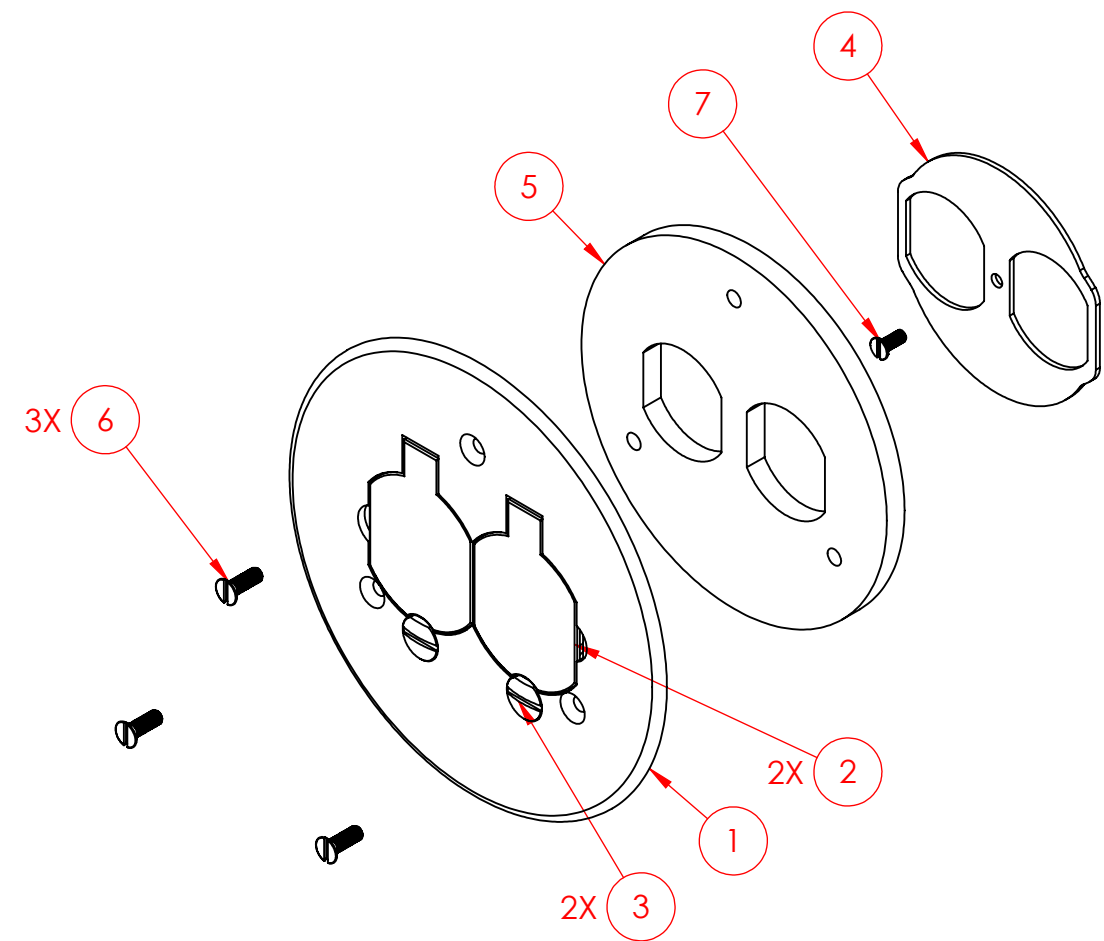
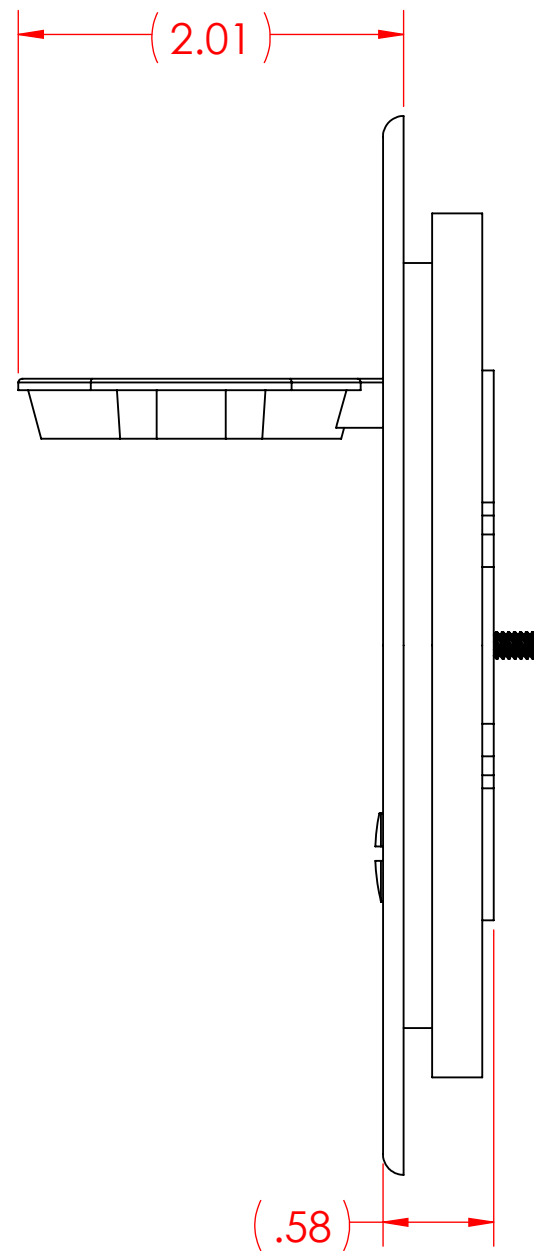
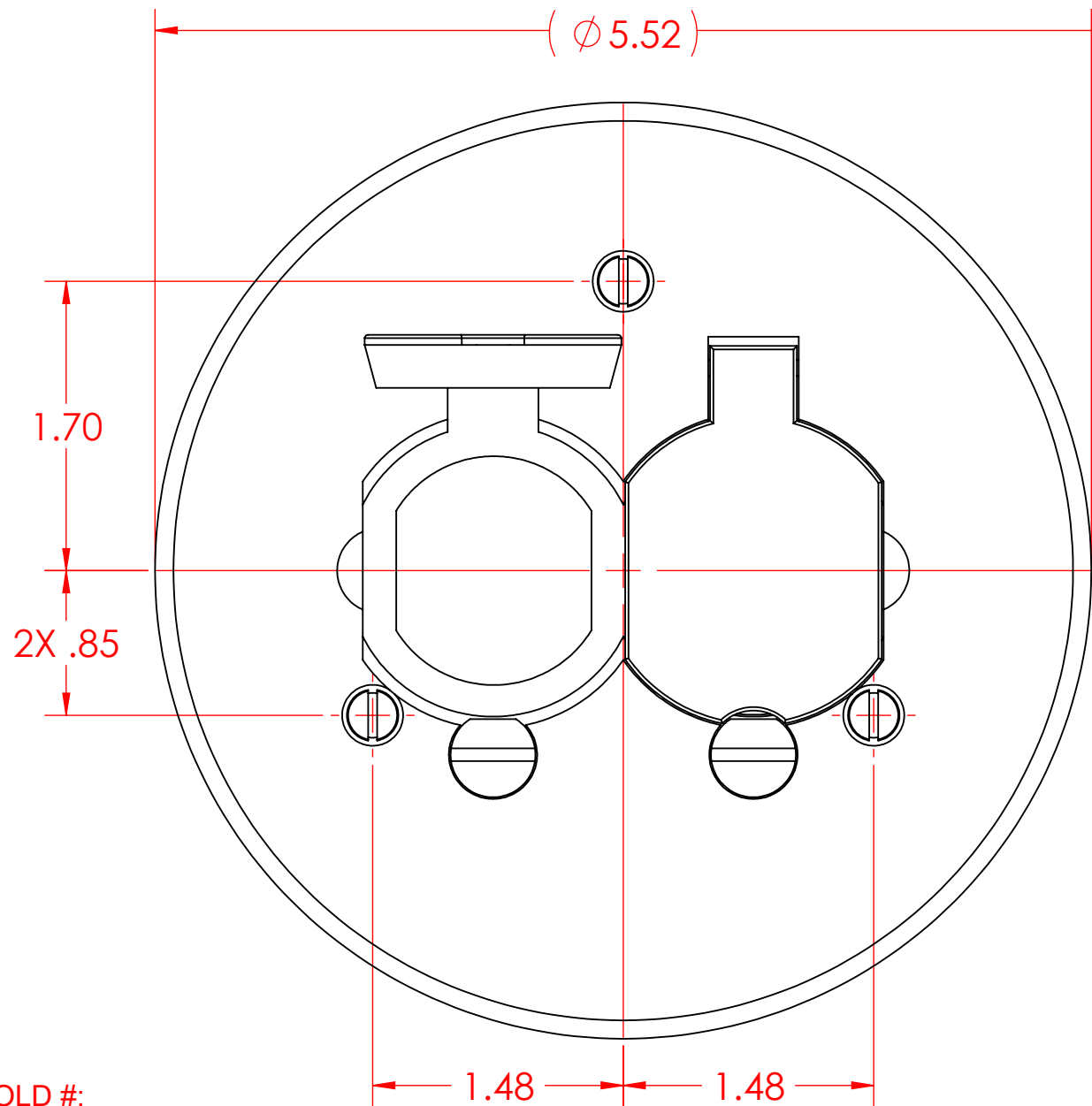
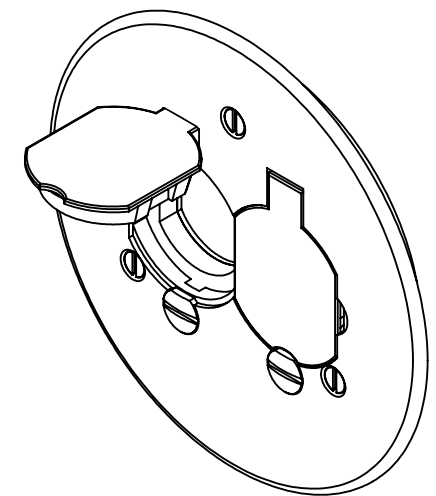


ITEM NO.	PART NUMBER	DESCRIPTION	QTY.
1	E068003-B.D01	FLOOR COVER PLATE [97RFDBC]	1
2	E068003-F.D01	FLOOR COVER FLAPPER	2
3	E068003-R.D01	FLOOR COVER FLAPPER RIVET	2
4	E068003-S.D01	FLOOR COVER STEEL PLATE [97CANSTEEL278]	1
5	E068003-G.D01	FLOOR COVER GASKET [60OFBRONROUND]	1
6	E068003-S8.D01	FLOOR COVER FLAT SLOT [97SCREW8323-8]	3
7	E068003-S6.D01	FLOOR COVER BRASS FLAT SLOT [97SCREW8321-2]	1



MOLD #:
ASM

REF: 5133678

NOTE: CAD DATA IS MASTER

CANTEX INC.
FT. WORTH TEXAS

**DUPLEX FLOOR BOX COVER
BRONZE POLYCARBONATE ELECTRICAL**

Ø5.5" x 0.6"

PRINTED COPIES ARE FOR REFERENCE ONLY
 DATE: 5/6/2015 DRAWN BY: RBP
 DATE: 5/6/2015 CHECKED BY: RBP
E068003.A01 Part No. 5133678
 MASTER CUSTOMER