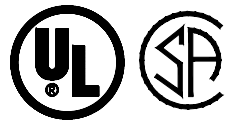
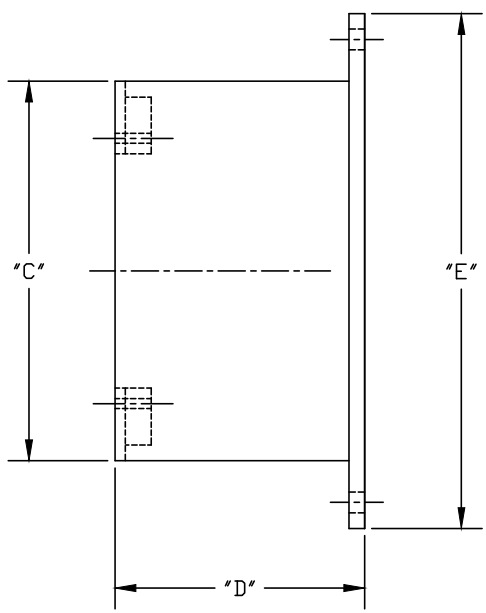
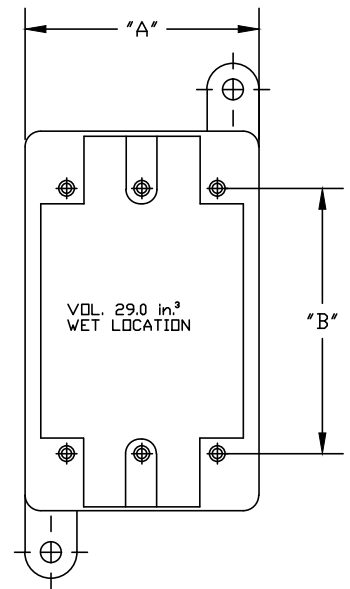
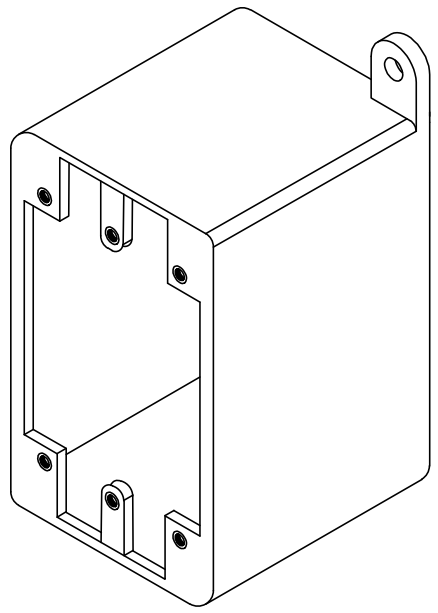


PART NUMBER	SIZE	"A"	"B"	"C"	"D"	"E"
5133420	-	2 13/16"	3 5/16"	4 9/16"	3"	6 1/8"



<b>CANTEX</b> INC. Fort Worth, TEXAS		
Type FD-Blank Exposed Boxes		
Drawn by: D. Gwinn	Date: 9/28/18	Ref. 5133420