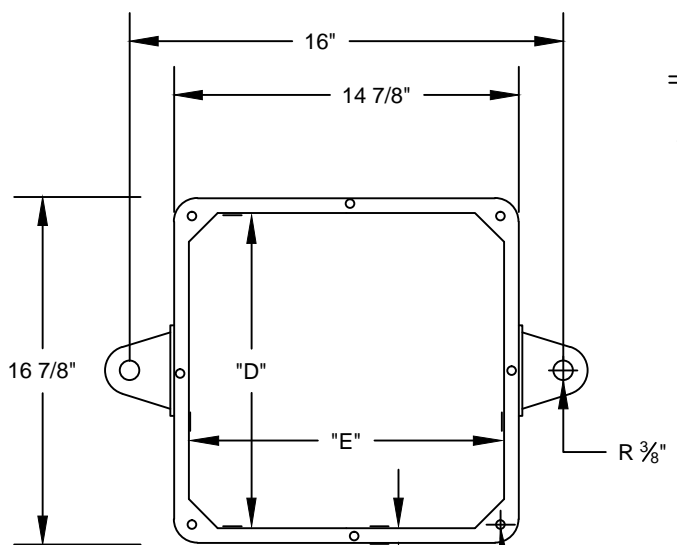
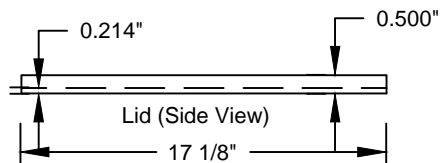


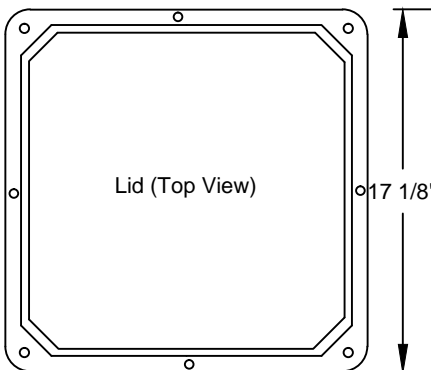
Box (Side View)



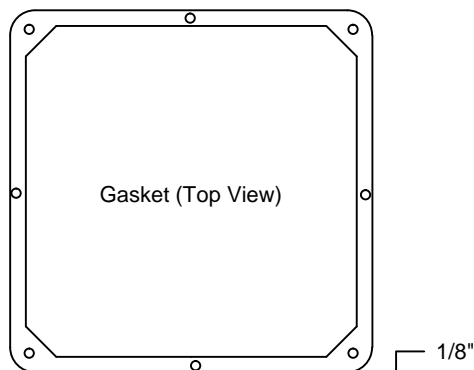
Box (Top View)



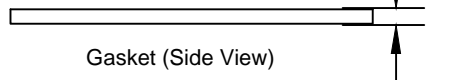
Lid (Side View)



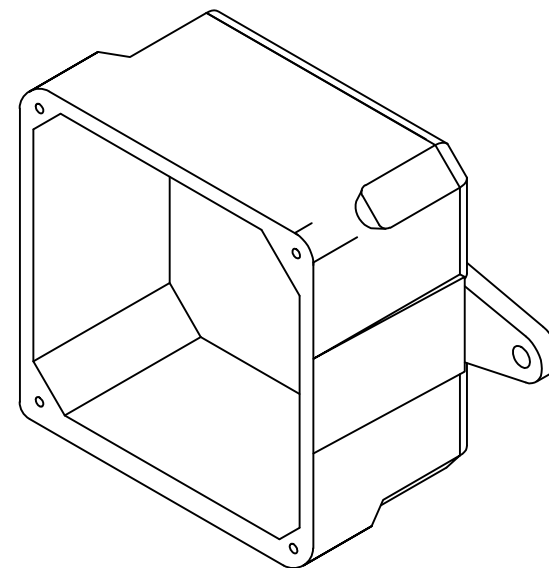
Lid (Top View)



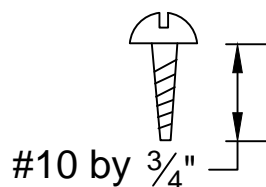
Gasket (Top View)



Gasket (Side View)



Type 1 Enclosure
 UL Listed
 UL File # E205935
 Material is Rigid PVC
 1310 cu in Volume (21467 cu cm)
 Screws are Zinc Plated Steel
 Gasket is neoprene



#10 by 3/4"

CANTEX
 INC.
 Fort Worth, TEXAS

Junction Box 16 x 14 x 6

Drawn By: D. Gwinn

Date: 4/16/18

5133163