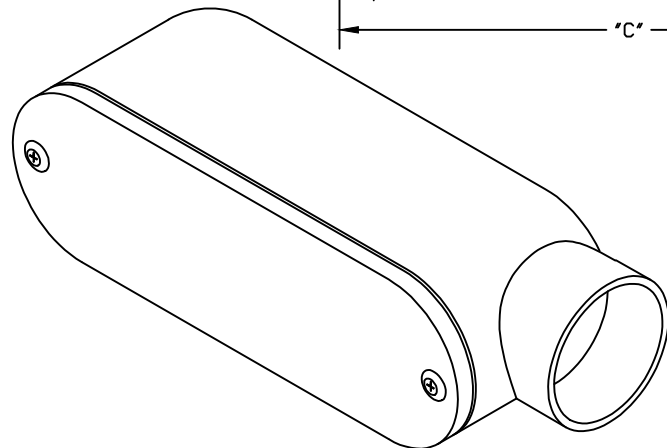
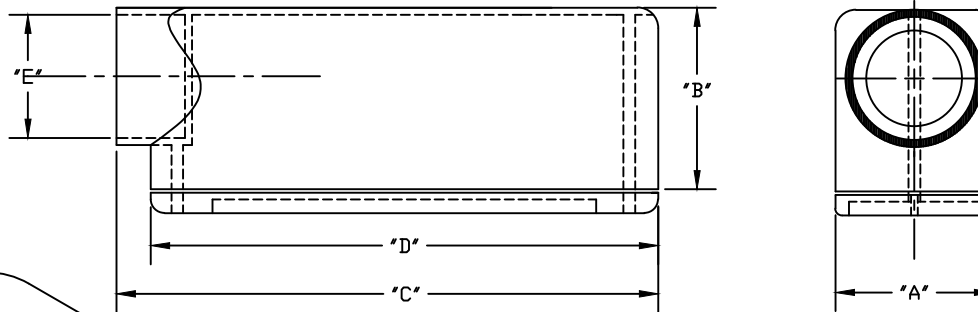


PART NUMBER	SIZE	"A"	"B"	"C"	"D"	"E"	Volume cu. in.	Maximum 3-wire Fill
5133151	1/2	1 $\frac{5}{16}$ "	1 $\frac{7}{16}$ "	4 $\frac{1}{4}$ "	4"	$\frac{7}{8}$ "	4.3	#6 or smaller
5133152	3/4	1 $\frac{1}{2}$ "	1 $\frac{5}{8}$ "	4 $\frac{15}{16}$ "	4 $\frac{5}{8}$ "	1 $\frac{1}{16}$ "	6.5	#6 or smaller
5133153	1	1 $\frac{3}{4}$ "	2"	6"	5 $\frac{3}{8}$ "	1 $\frac{5}{16}$ "	11.8	#6 or smaller
5133154	1-1/4	2 $\frac{7}{16}$ "	2 $\frac{7}{16}$ "	7 $\frac{5}{8}$ "	7 $\frac{3}{16}$ "	1 $\frac{5}{8}$ "	25	XHHW #1
5133155	1-1/2	2 $\frac{5}{8}$ "	2 $\frac{13}{16}$ "	8 $\frac{9}{16}$ "	8"	1 $\frac{15}{16}$ "	36.5	XHHW #2/0
5133156	2	3 $\frac{1}{16}$ "	3 $\frac{7}{16}$ "	9 $\frac{7}{8}$ "	9 $\frac{1}{2}$ "	2 $\frac{3}{8}$ "	63.5	XHHW #4/0
5133157	2-1/2	4 $\frac{5}{8}$ "	4 $\frac{5}{8}$ "	1' 2 $\frac{15}{16}$ "	1' $\frac{3}{4}$ "	2 $\frac{7}{8}$ "	198	XHHW 500 MCM
5133158	3	4 $\frac{5}{8}$ "	4 $\frac{5}{8}$ "	1' 3"	1' $\frac{13}{16}$ "	3 $\frac{1}{2}$ "	198	XHHW 500 MCM
5133160	3-1/2	5 $\frac{5}{8}$ "	5 $\frac{1}{2}$ "	1' 4 $\frac{3}{16}$ "	1' $\frac{13}{16}$ "	4"	305	XHHW 500 MCM
5133159	4	5 $\frac{5}{8}$ "	5 $\frac{1}{2}$ "	1' 3 $\frac{15}{16}$ "	1' $\frac{13}{16}$ "	4 $\frac{1}{2}$ "	305	XHHW 500 MCM

Sizes 2 $\frac{1}{2}$ " through 4" have straight (90 deg.) edges/angles
Dimensions are nominal



UL Listed
UL File # E98429
UL Category Code QCMZ
UL Control Number 39N9
Material is Rigid PVC
Gasket is Neoprene
Zinc plated steel screws
See NEC Article 314 for use



CANTEX INC. Fort Worth, TEXAS		
Type E Conduit Bodies		
Drawn By: O.M.	Date: 5/11/17	Ref. 5133151