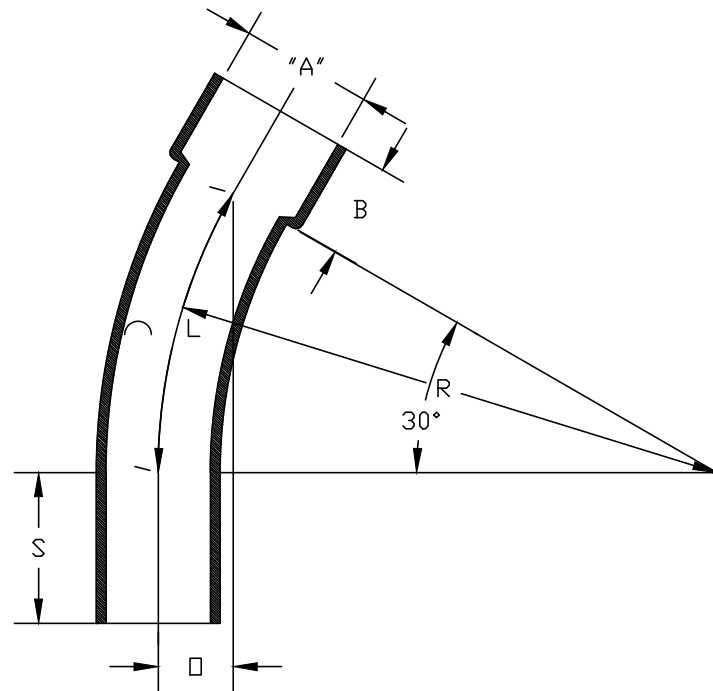


PART NUMBER	SIZE	"R"	"□"	"H"	"S" MIN	"B" MIN	"L"
5126016	4"	120"	16 1/16"	60"	3 3/8"	1 3/4"	62 13/16"



NOT A LISTED PRODUCT
 CONFORMS TO NEMA TC 6&8
 MATERIAL IS RIGID PVC
 BEND TOLERANCE IS ±2°

CANTEX INC. Fort Worth, TEXAS		
30° Elbows Bell End TC-6 120" Radius Elbows		
Drawn By: D. Gwinn	Date: 3/12/19	Ref. 5126016