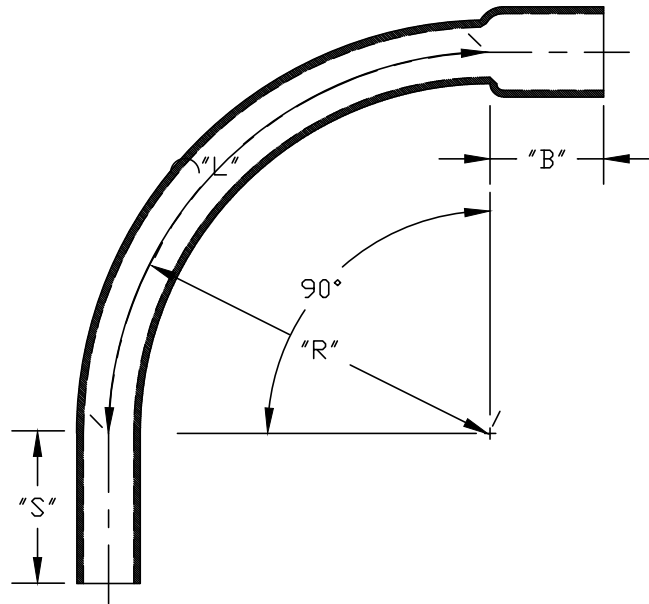


PART NUMBER	SIZE	"R"	"S" MIN	"B" MIN	"L"
5125900	4"	144"	3 3/8"	1 3/4"	226.19"



NOT A LISTED PRODUCT  
 CONFORMS TO NEMA TC 6&8  
 MATERIAL IS RIGID PVC  
 BEND TOLERANCE IS  $\pm 2^\circ$

All dimensions are nominal.

<b>CANTEX</b> INC. Fort Worth, TEXAS		
90° Elbows Bell End TC-8 144" Radius Elbows		
Drawn By: D. Gwinn	Date: 3/11/19	Ref. 5125900