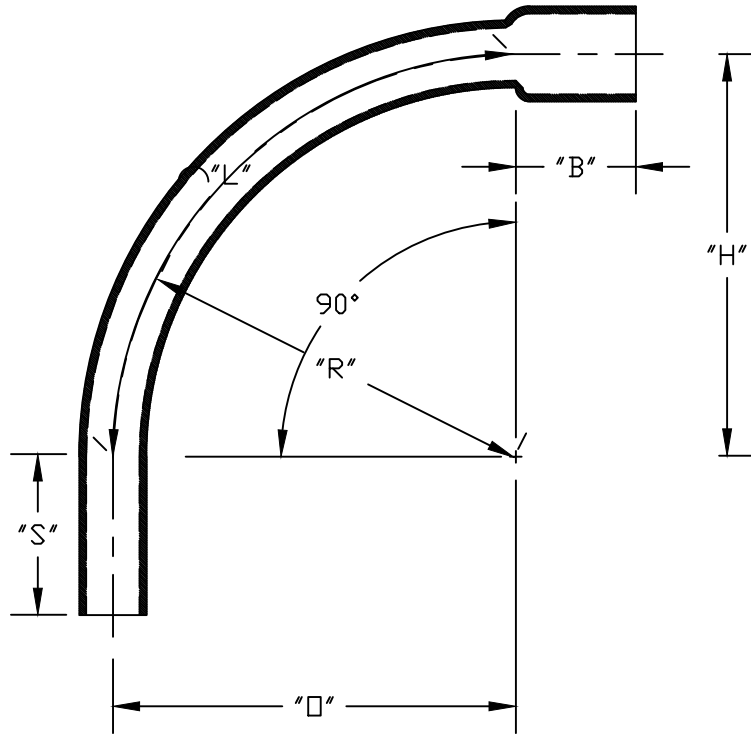


PART NUMBER	SIZE	"R"	"□"	"H"	"S" MIN	"B" MIN	"L"
5125740	2"	48"	48"	48"	2"	2"	73 $\frac{3}{8}$ "
5125741	3"	48"	48"	48"	3 $\frac{1}{8}$ "	2 $\frac{1}{2}$ "	73 $\frac{3}{8}$ "
5125877	4"	48"	48"	48"	3 $\frac{3}{8}$ "	3 $\frac{1}{4}$ "	73 $\frac{3}{8}$ "
5125901	5"	48"	48"	48"	3 $\frac{5}{8}$ "	4 $\frac{1}{4}$ "	73 $\frac{3}{8}$ "
5125885	6"	48"	48"	48"	3 $\frac{3}{4}$ "	5"	73 $\frac{3}{8}$ "



CONFORMS TO NEMA TC 6&8  
MATERIAL IS HIGH MODULUS (HM) 500,000 psi  
BEND TOLERANCE IS  $\pm 2^\circ$   
"B" TOLERANCE IS  $-\frac{1}{8}$ "  $\pm \frac{1}{2}$ "

All dimensions are nominal

<b>CANTEX</b> INC. Fort Worth, TEXAS		
90° Elbows Bell End DB120 48" Radius Elbows		
Drawn By: O.M.	Date: 7/10/17	Ref. 5125740