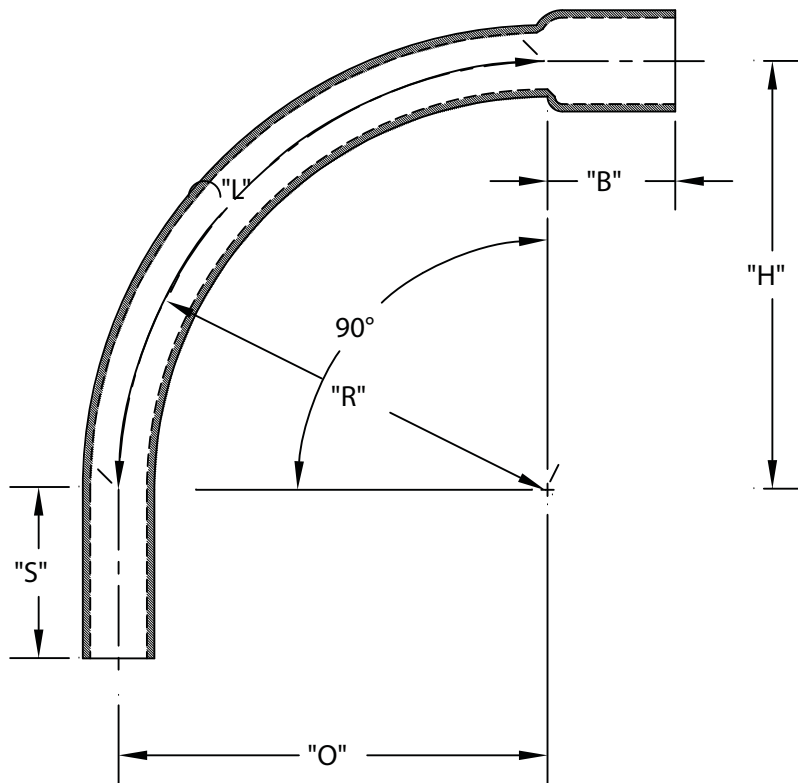


PART NUMBRT	SIZE	"R"	"O"	"H"	"S" MIN	"B" MIN	"L"
5125869	2"	36"	36"	36"	2"	2"	56 1/2"
5125872	3"	36"	36"	36"	3 1/8"	2 1/2"	56 1/2"
5125876	4"	36"	36"	36"	3 3/8"	3 1/4"	56 1/2"
5125880	5"	36"	36"	36"	3 5/8"	4 1/4"	56 1/2"
5125884	6"	36"	36"	36"	3 3/4"	5"	56 1/2"



CONFORMS TO NEMA TC 6&8
MATERIAL IS HIGH MODULUS (HM) 500,000 psi
BEND TOLERANCE IS $\pm 2^\circ$
"B" TOLERANCE IS $-\frac{1}{8}"$, $+\frac{1}{2}"$

CANTEX
INC.

Fort Worth, TEXAS

90° Elbows Bell End
DB12 TC 6&8

Drawn By: DS FRANK

Date: 6/15/2011

Ref.