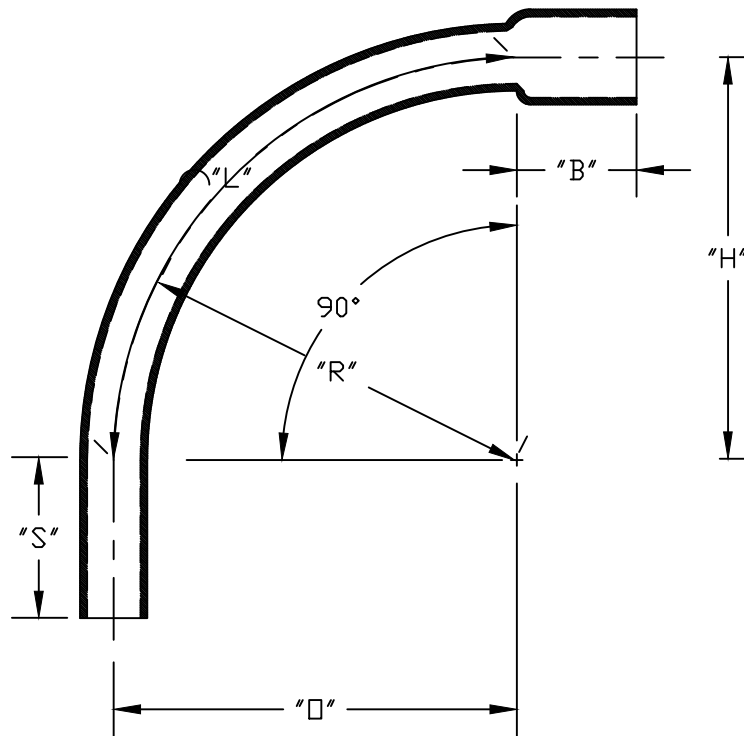


PART NUMBER	SIZE	"R"	"□"	"H"	"S" MIN	"B" MIN	"L"
5125859	2"	60"	60"	60"	2"	1 ¼"	94 ¼"
5125873	3"	60"	60"	60"	3 ⅛"	1 ⅝"	94 ¼"
5125878	4"	60"	60"	60"	3 ¾"	1 ¾"	94 ¼"
5125899	5"	60"	60"	60"	3 ⅝"	2"	94 ¼"
5125895	6"	60"	60"	60"	3 ¾"	2 ⅛"	94 ¼"



NOT A LISTED PRODUCT  
 CONFORMS TO NEMA TC 3  
 MATERIAL IS RIGID PVC  
 BEND TOLERANCE IS ±2°

**CANTEX**  
 INC.  
 Fort Worth, TEXAS

90° Elbows Bell End  
 TC-8 60" Radius Elbows

Drawn By: O.M.

Date: 7/27/17

Ref. 5125859

All dimensions are nominal