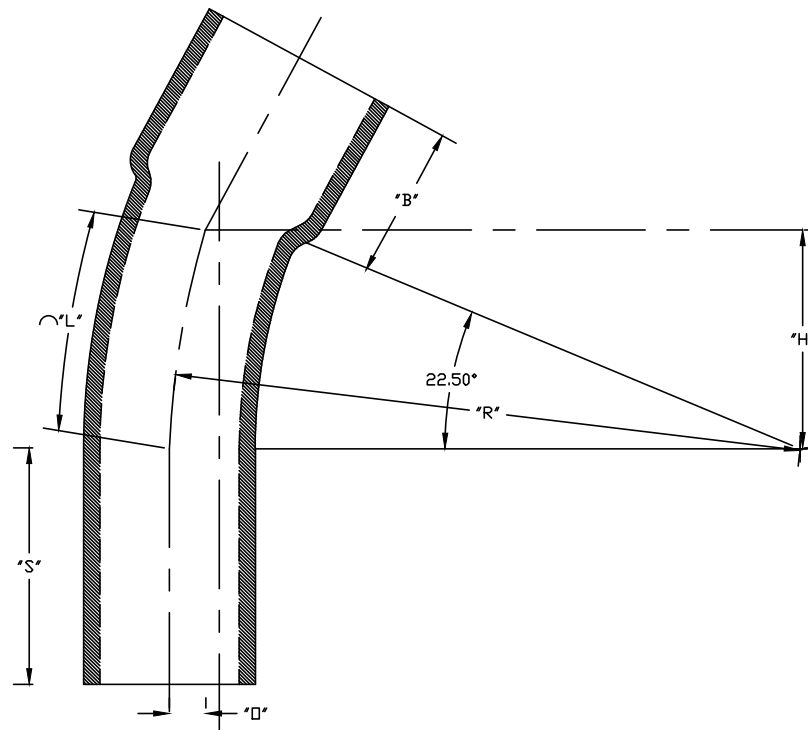


PART NUMBER	SIZE	"R"	"D"	"H"	"S" MIN	"B" MIN	"L"
5125764	2"	60"	4 9/16"	23"	2"	1 1/8"	23 9/16"
5125777	3"	60"	4 9/16"	23"	3 1/8"	1 5/8"	23 9/16"
5125735	4"	60"	4 9/16"	23"	3 3/8"	1 3/4"	23 9/16"
5125809	5"	60"	4 9/16"	23"	3 5/8"	2"	23 9/16"
5125732	6"	60"	4 9/16"	23"	3 3/4"	2 1/8"	23 9/16"



CONFORMS TO NEMA TC6&8  
MATERIAL IS RIGID PVC  
BEND TOLERANCE IS ±2°

<b>CANTEX</b> INC. Fort Worth, TEXAS		
22-1/2° Elbows Bell End TC-8 60" Radius Elbows		
Drawn By: D. Gwinn	Date: 3/22/19	Ref. 5125735

All dimensions are nominal