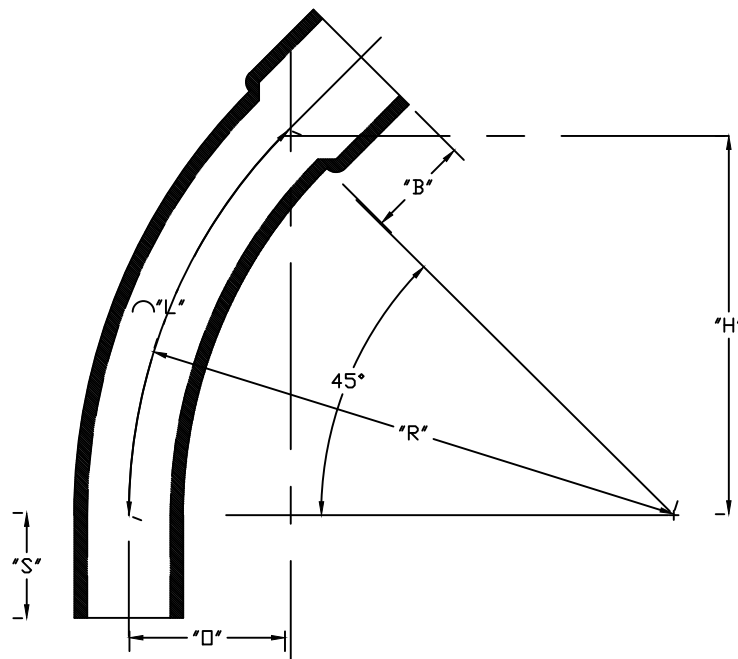


PART NUMBER	SIZE	"R"	"□"	"H"	"S" MIN	"B" MIN	"L"
5125738	4"	60"	17 ⁹ / ₁₆ "	42 ³ / ₈ "	3 ³ / ₈ "	1 ³ / ₄ "	47 ¹ / ₈ "
5125782	5"	60"	17 ⁹ / ₁₆ "	42 ³ / ₈ "	3 ⁵ / ₈ "	2"	47 ¹ / ₈ "
5125795	6"	60"	17 ⁹ / ₁₆ "	42 ³ / ₈ "	3 ³ / ₄ "	2 ¹ / ₈ "	47 ¹ / ₈ "



NOT A LISTED PRODUCT
 CONFORMS TO NEMA TC 3
 MATERIAL IS RIGID PVC
 BEND TOLERANCE IS ±2°

CANTEX
 INC.
 Fort Worth, TEXAS

45° Elbows Bell End
 TC-8 60" Radius Elbows

Drawn By: O.M.

Date: 7/27/17

Ref. 5125738

All dimensions are nominal