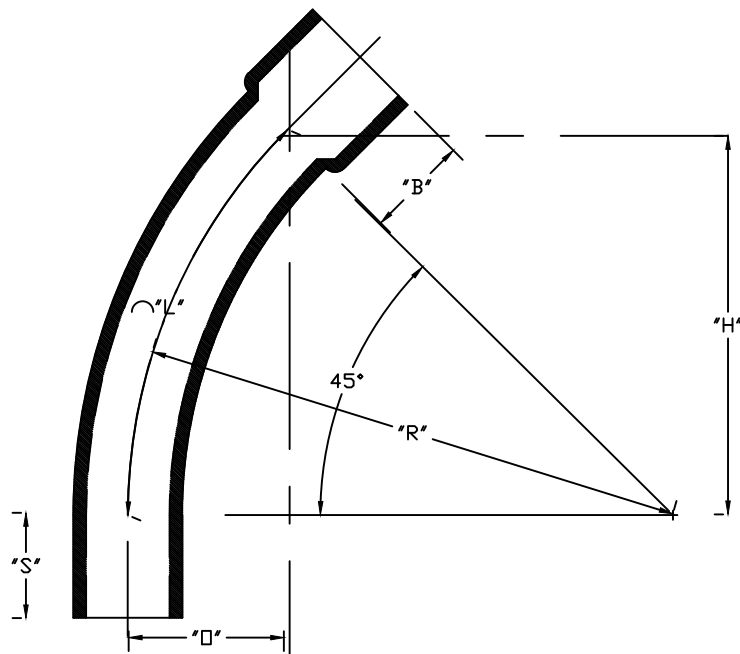


PART NUMBER	SIZE	"R"	"□"	"H"	"S" MIN	"B" MIN	"L"
5125947	3"	150"	43 $\frac{15}{16}$ "	106 $\frac{1}{16}$ "	4"	4"	117 $\frac{13}{16}$ "
5125749	4"	150"	43 $\frac{15}{16}$ "	106 $\frac{1}{16}$ "	4"	4"	117 $\frac{13}{16}$ "
5125785	5"	150"	43 $\frac{15}{16}$ "	106 $\frac{1}{16}$ "	5"	5"	117 $\frac{13}{16}$ "
5125758	6"	150"	43 $\frac{15}{16}$ "	106 $\frac{1}{16}$ "	6"	6"	117 $\frac{13}{16}$ "



Meets NEMA TC 6&8  
 Meets NEMA TC 9  
 Material is Rigid PVC  
 Bend Tolerance is  $\pm 2^\circ$

<b>CANTEX</b> INC. Fort Worth, TEXAS		
<b>45° Elbows Bell End</b> <b>DB120 150" Radius Elbows</b>		
Drawn By: O.M.	Date: 5/15/17	Ref. 5125749