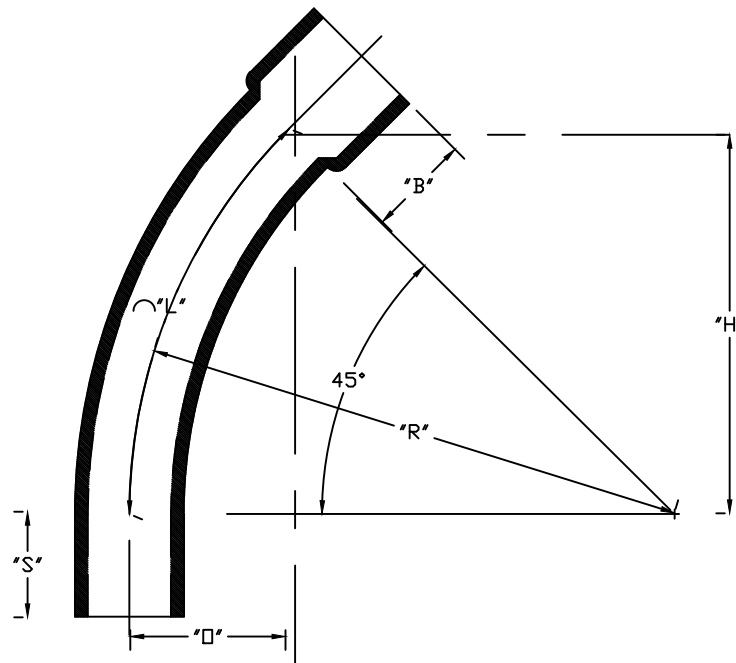


PART NUMBER	SIZE	"R"	"□"	"H"	"S" MIN	"B" MIN	"L"
5125879	2"	36"	4 $\frac{13}{16}$ "	18"	2"	2"	18 $\frac{7}{8}$ "
5125772	3"	36"	4 $\frac{13}{16}$ "	18"	3 $\frac{1}{8}$ "	2 $\frac{1}{2}$ "	18 $\frac{7}{8}$ "
5125776	4"	36"	4 $\frac{13}{16}$ "	18"	3 $\frac{3}{8}$ "	3 $\frac{1}{4}$ "	18 $\frac{7}{8}$ "
5125781	5"	36"	4 $\frac{13}{16}$ "	18"	3 $\frac{5}{8}$ "	4 $\frac{1}{4}$ "	18 $\frac{7}{8}$ "
5125784	6"	36"	4 $\frac{13}{16}$ "	18"	3 $\frac{3}{4}$ "	5"	18 $\frac{7}{8}$ "



CONFORMS TO NEMA TC 6&8
 MATERIAL IS HIGH MODULUS (HM) 500,000 psi
 BEND TOLERANCE IS $\pm 2^\circ$
 "B" TOLERANCE IS $-\frac{1}{8}$ " $\pm \frac{1}{2}$ "

CANTEX
 INC.
 Fort Worth, TEXAS

45° Elbows Bell End
 DB120 36" Radius Elbows

Drawn By: O.M.

Date: 7/10/17

Ref. 5125879

All dimensions are nominal