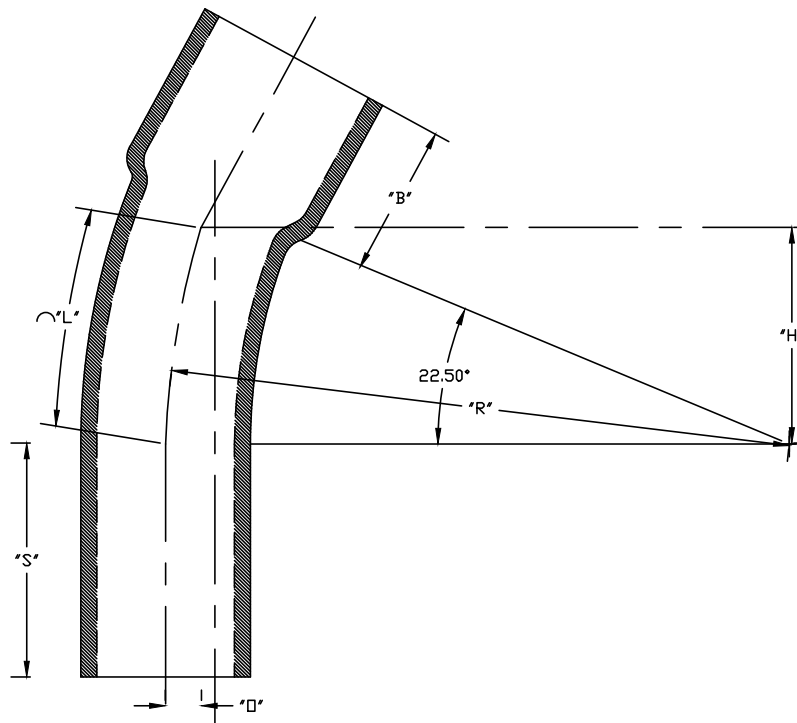


PART NUMBER	SIZE	"R"	"D"	"H"	"S" MIN	"B" MIN	"L"
5125825	2"	48"	3 5/8"	18 3/8"	2"	1 1/8"	18 7/8"
5125727	3"	48"	3 5/8"	18 3/8"	3 1/8"	1 5/8"	18 7/8"
5125733	4"	48"	3 5/8"	18 3/8"	3 3/8"	1 3/4"	18 7/8"
5125780	5"	48"	3 5/8"	18 3/8"	3 5/8"	2"	18 7/8"



NOT A LISTED PRODUCT
 CONFORMS TO NEMA TC 3
 MATERIAL IS RIGID PVC
 BEND TOLERANCE IS ±2°

CANTEX INC. Fort Worth, TEXAS		
22-1/2° Elbows Bell End TC-8 48" Radius Elbows		
Drawn By: O.M.	Date: 7/27/17	Ref. 5125825

All dimensions are nominal