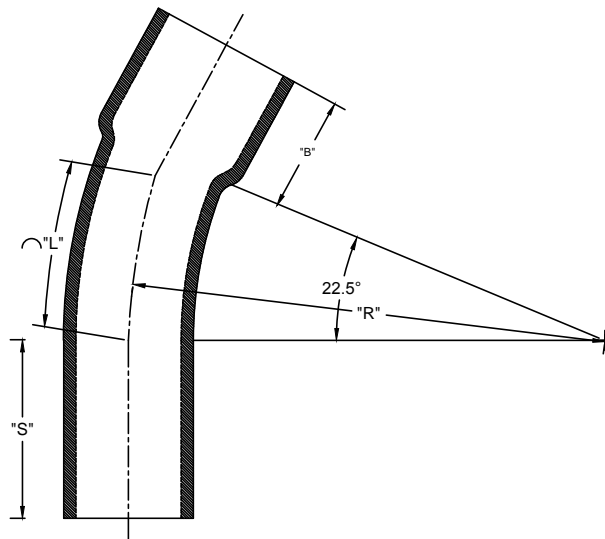


Part Number	SIZE	"R"	"S" MIN	"B" MIN	"L"
5125775	4"	150"	3 $\frac{3}{8}$ "	1 $\frac{3}{4}$ "	58.9"
5125793	5"	150"	3 $\frac{5}{8}$ "	2"	58.9"



For use in Direct Burial and encasement burial applications.
 Conforms to NEMA TC6&8 Standards
 Made from High Modulus PVC
 BEND TOLERANCE IS +/-2°
 Not a listed product

CANTEX INC. Fort Worth, TEXAS		
22-1/2" Elbows Bell End DB-120 150" Radius Elbows		
Drawn by: D. Gwinn	DATE: 2/20/19	PN: 5125775