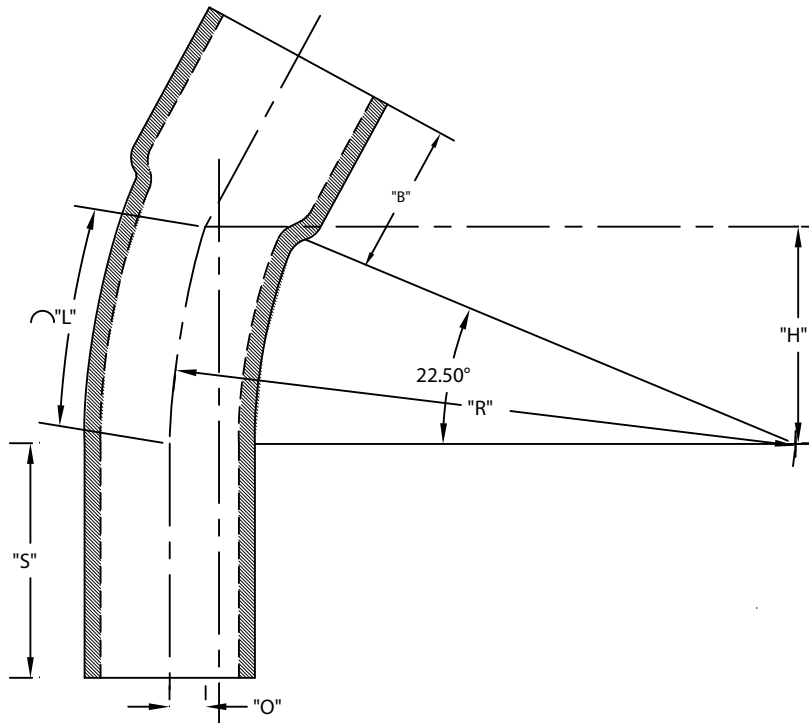


PART NUMBRT	SIZE	"R"	"O"	"H"	"S" MIN	"B" MIN	"L"
5125768	2"	36"	2 3/4"	13 3/4"	2"	2"	14 1/8"
5125773	3"	36"	2 3/4"	13 3/4"	3 1/8"	2 1/2"	14 1/8"
5125750	4"	36"	2 3/4"	13 3/4"	3 3/8"	3 1/4"	14 1/8"
5125779	5"	36"	2 3/4"	13 3/4"	3 5/8"	4 1/4"	14 1/8"
5125812	6"	36"	2 3/4"	13 3/4"	3 3/4"	5"	14 1/8"



CONFORMS TO NEMA TC 6&8  
 MATERIAL IS HIGH MODULUS (HM) 500,000 psi  
 BEND TOLERANCE IS  $\pm 2^\circ$   
 "B" TOLERANCE IS  $- 1/8", + 1/2"$

**CANTEX**  
 INC.  
 Fort Worth, TEXAS

22-1/2° Elbows Bell End  
 DB120 36" Radius Elbows

Drawn By: CD Branch

Date: 10/15/07

Ref.