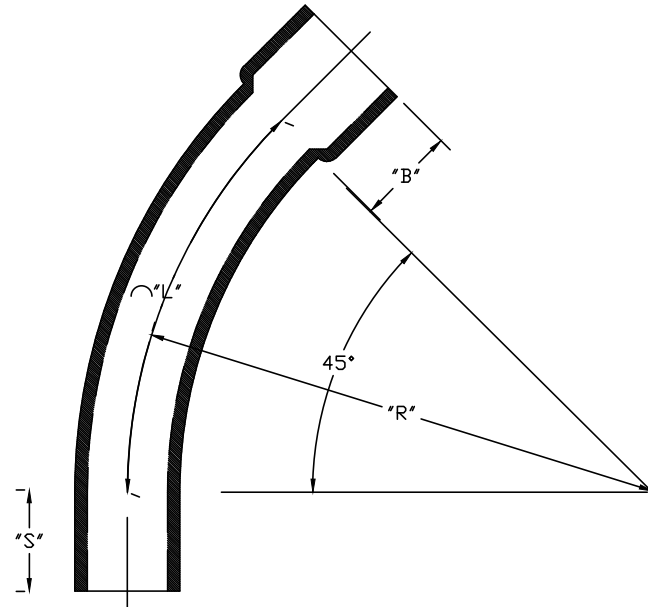


PART NUMBER	SIZE	"R"	"S" MIN	"B" MIN	"L"
5125746	2"	18"	2"	1 1/8"	14.14"
5125747	3"	18"	3 1/8"	2 1/2"	14.14"
5125752	4"	18"	3 3/8"	1 3/4"	14.14"



NOT A LISTED PRODUCT  
 CONFORMS TO NEMA TC 6&8  
 MATERIAL IS RIGID PVC  
 BEND TOLERANCE IS  $\pm 2^\circ$

**CANTEX**  
 INC.  
 Fort Worth, TEXAS

45° Elbows Bell End  
 TC-8 18" Radius Elbows

Drawn By: D. Gwinn

Date: 3/12/19

Ref. 5125752