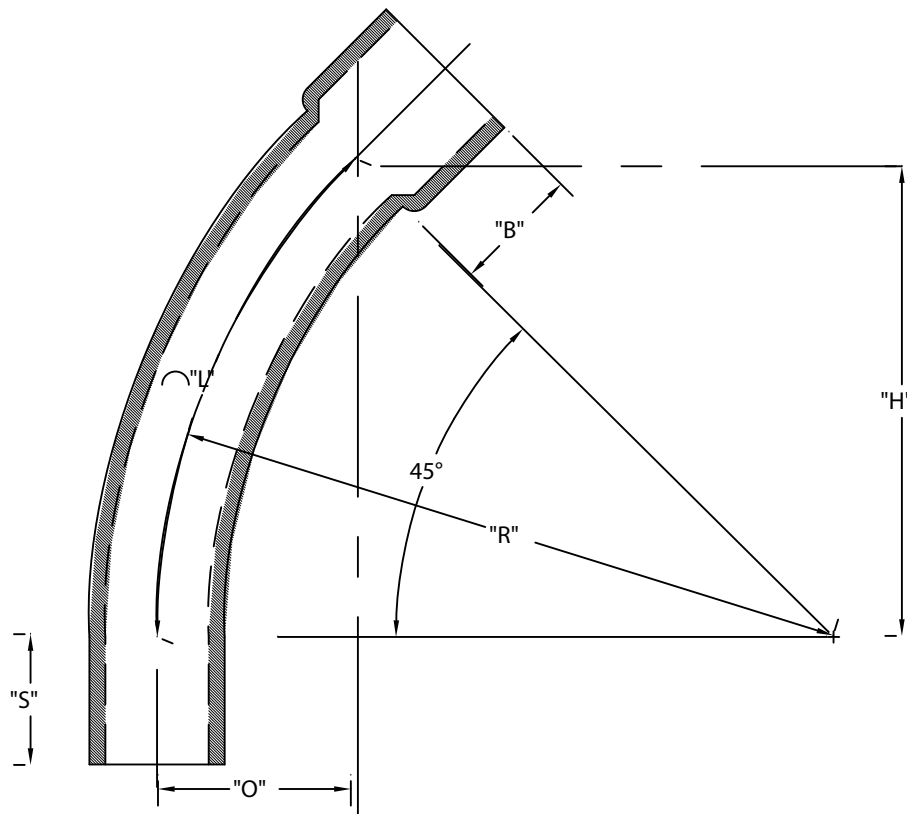


PART NUMBRT	SIZE	"R"	"O"	"H"	"S" MIN	"B" MIN	"L"
5125769	2"	48	6 ⁷ / ₁₆ "	24"	2"	2"	25 ¹ / ₈ "
5125737	3"	48	6 ⁷ / ₁₆ "	24"	3 ¹ / ₈ "	2 ¹ / ₂ "	25 ¹ / ₈ "
5125744	4"	48	6 ⁷ / ₁₆ "	24"	3 ³ / ₈ "	3 ¹ / ₄ "	25 ¹ / ₈ "
5125783	5"	48	6 ⁷ / ₁₆ "	24"	3 ⁵ / ₈ "	4 ¹ / ₄ "	25 ¹ / ₈ "
5125796	6"	48	6 ⁷ / ₁₆ "	24"	3 ³ / ₄ "	5"	25 ¹ / ₈ "



CONFORMS TO NEMA TC 6&8
MATERIAL IS HIGH MODULUS (HM) 500,000 psi
BEND TOLERANCE IS $\pm 2^\circ$
"B" TOLERANCE IS $-\frac{1}{8}''$, $+\frac{1}{2}''$

CANTEX
INC.
Fort Worth, TEXAS

45° Elbows Bell End
DB60 48" Radius Elbows

Drawn By: CD Branch

Date: 10/15/07

Ref.