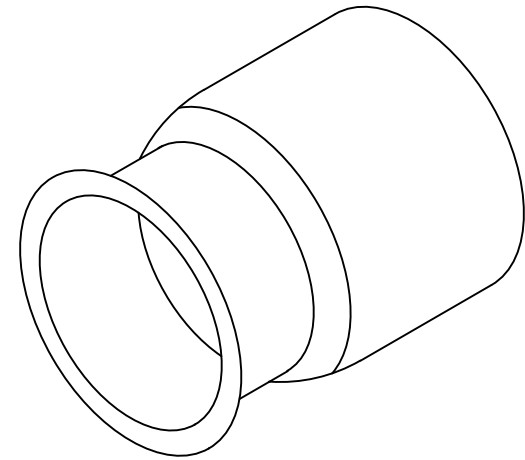
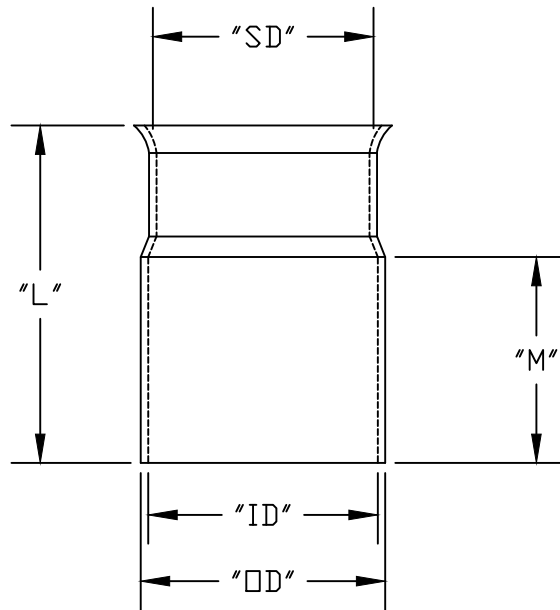


PART NUMBER	SIZE	"L"	"ID"	"OD"	"SD"	"M"
5124010	2"	6"	2 3/8"	2 1/2"	2 1/8"	2 3/4"
5124012	3"	6 1/8"	3 1/2"	3 3/4"	3 3/8"	3 1/4"
5124014	4"	6 1/4"	4 1/2"	4 7/8"	4"	3 3/4"
5124015	5"	7 1/8"	5 1/2"	5 7/8"	5 1/4"	3 5/8"
5124017	6"	7"	6 5/8"	7"	6"	4".5

Fabricated Part Dimensions are approximate.



NEMA TC-9 COMPLIANT
MATERIAL - PVC
ALL DIMENSIONS IN INCHES

TOLERANCES
± 1/8

CANTEX INC. Fort Worth, TEXAS		
DB60 End Bells (Fabricated)		
Drawn By: CD Branch	Date: 03/26/24	Ref.