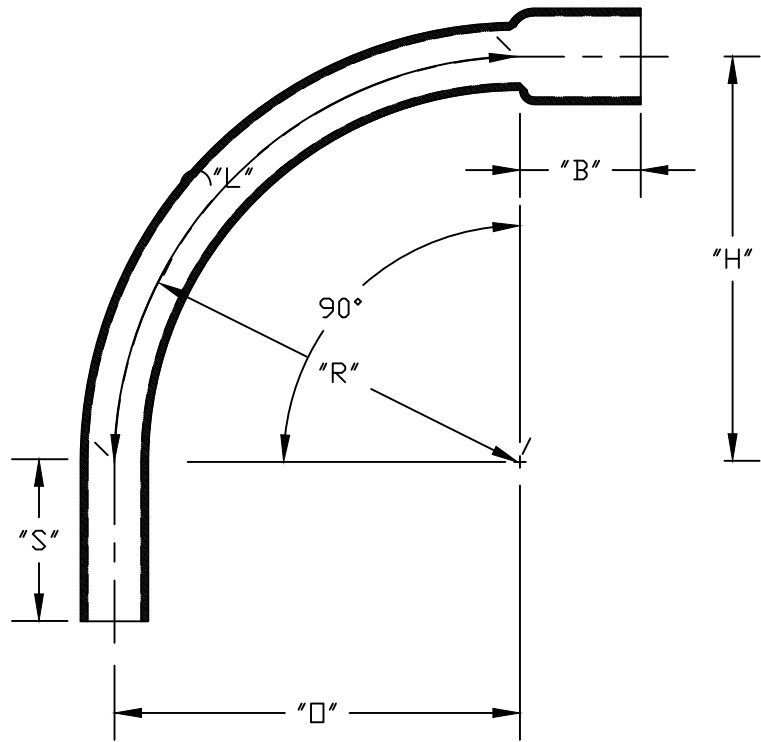


PART NUMBER	SIZE	"R"	"O"	"H"	"S" MIN	"B" MIN	"L"
5123882	4"	150"	150"	150"	3 $\frac{3}{8}$ "	3 $\frac{1}{4}$ "	235 $\frac{5}{8}$ "
5123885	5"	150"	150"	150"	3 $\frac{5}{8}$ "	4 $\frac{1}{4}$ "	235 $\frac{5}{8}$ "
5123970	6"	150"	150"	150"	3 $\frac{3}{4}$ "	5"	235 $\frac{5}{8}$ "



Material is Rigid PVC
 Bend Tolerance is $\pm 2^\circ$
 For use in direct burial or encasement
 burial applications
 Meets NEMA TC 6&8 Standard

CANTEX INC. Fort Worth, TEXAS		
90° Elbow Bell End DB-60 150" Radius Elbows		
Drawn By: D. Gwinn	Date: 5/22/19	Ref. 5123882