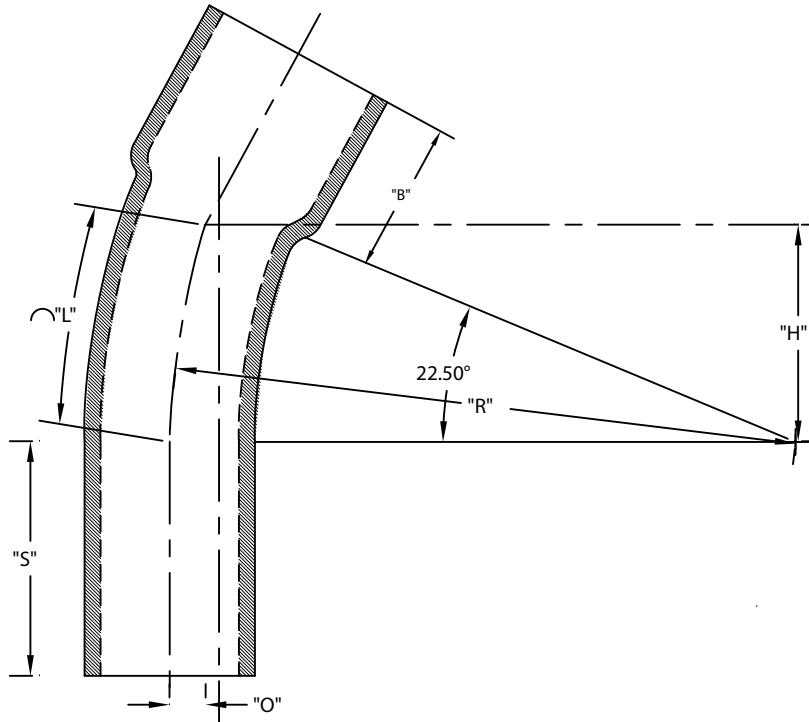


PART NUMBRT	SIZE	"R"	"O"	"H"	"S" MIN	"B" MIN	"L"
5123945	3"	18"	1 ³ / ₈ "	6 ⁷ / ₈ "	3 ¹ / ₈ "	2 ¹ / ₂ "	7 ¹ / ₁₆ "
5123740	4"	18"	1 ³ / ₈ "	6 ⁷ / ₈ "	3 ³ / ₄ "	3 ¹ / ₄ "	7 ¹ / ₁₆ "



CONFORMS TO NEMA TC 6&8
 MATERIAL IS HIGH MODULUS (HM) 500,000 psi
 BEND TOLERANCE IS ±2°
 "B" TOLERANCE IS -1/8", +1/2"

CANTEX
 INC.
 Fort Worth, TEXAS

22-1/2° Elbows Bell End
 DB60 18" Radius Elbows

Drawn By: CD Branch

Date: 10/15/07

Ref.