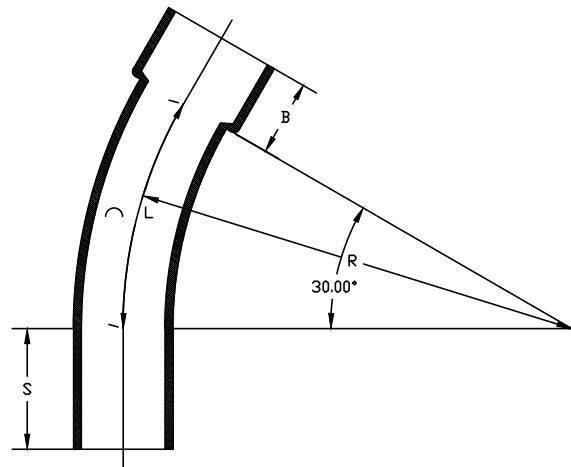


PART NUMBER	SIZE	"R"	"□"	"H"	"S" MIN	"B" MIN	"L"
5123925	4"	144"	11 $\frac{3}{8}$ "	54 $\frac{1}{16}$ "	3 $\frac{3}{8}$ "	1 $\frac{3}{4}$ "	56.55"
5123737	5"	144"	11 $\frac{3}{8}$ "	54 $\frac{1}{16}$ "	3 $\frac{5}{8}$ "	2"	56.55"



Meets NEMA TC6&8 and ASTM F-512
 See NEC Article 352 for use
 Material is Rigid PVC
 Bend Tolerance is $\pm 2^\circ$

CANTEX INC. Fort Worth, TEXAS		
22-1/2° Elbows Bell End TC-6 144" Radius Elbows		
Drawn By: D. Gwinn	Date: 3/8/19	Ref. 5123925