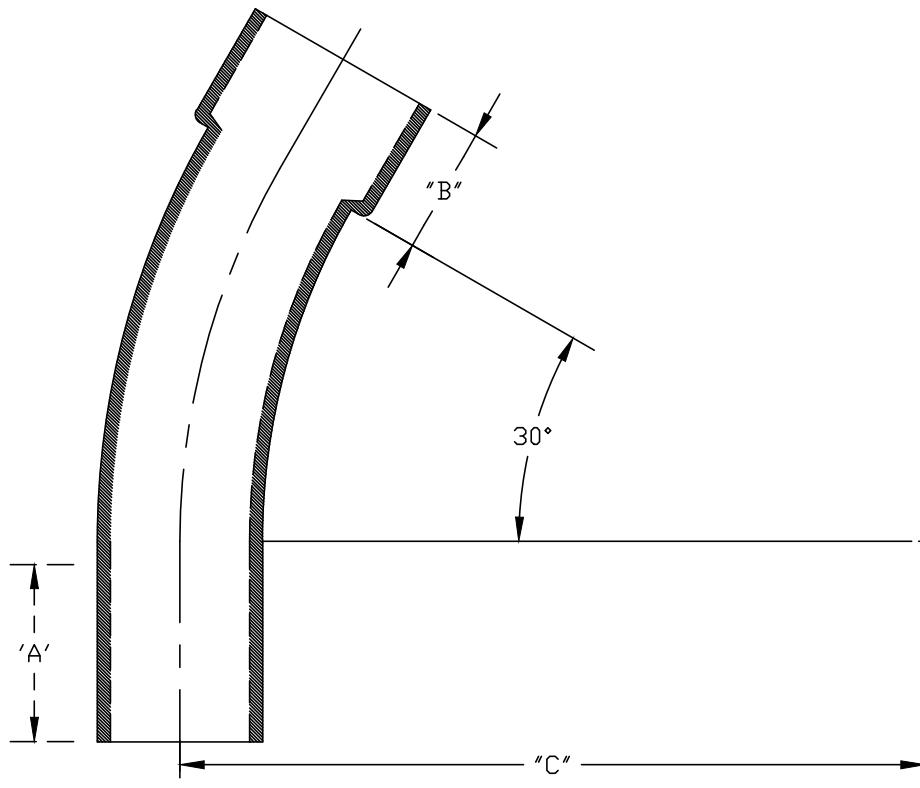


PART NUMBER	SIZE	"A" Min.	"B" Min.	"C"
5123770	2"	2"	1 $\frac{1}{8}$ "	36"
5123759	3"	3 $\frac{1}{8}$ "	1 $\frac{5}{8}$ "	36"
5123760	4"	3 $\frac{3}{8}$ "	1 $\frac{3}{4}$ "	36"
5123761	5"	3 $\frac{5}{8}$ "	2"	36"
5123918	6"	3 $\frac{3}{4}$ "	2 $\frac{1}{8}$ "	36"



NOT A LISTED PRODUCT  
 CONFORMS TO NEMA TC 3  
 MATERIAL IS RIGID PVC  
 BEND TOLERANCE IS  $\pm 2^\circ$

**CANTEX**  
 INC.  
 Fort Worth, TEXAS

30° Elbows Bell End  
 TC-6 36" Radius Elbows

Drawn By: D. Gwinn | Date: 2/14/19 | Ref. 5123770

All dimensions are nominal