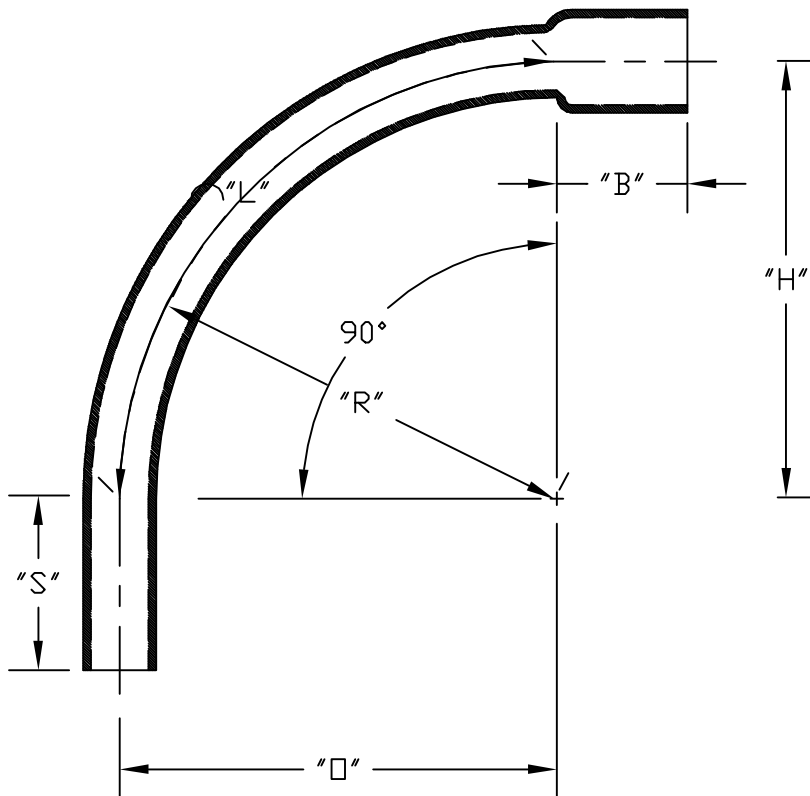


PART NUMBRT	SIZE	"R"	"O"	"H"	"S" MIN	"B" MIN	"L"
5123865	2"	48"	48"	48"	2"	2"	73 ³ / ₈ "
5123869	3"	48"	48"	48"	3 1/8"	2 1/2"	73 ³ / ₈ "
5123877	4"	48"	48"	48"	3 3/8"	3 1/4"	73 ³ / ₈ "
5123881	5"	48"	48"	48"	3 5/8"	4 1/4"	73 ³ / ₈ "
5123894	6"	48"	48"	48"	3 3/4"	5"	73 ³ / ₈ "



CONFORMS TO NEMA TC 6&8
 MATERIAL IS HIGH MODULUS (HM) 500,000 psi
 BEND TOLERANCE IS $\pm 2^\circ$
 "B" TOLERANCE IS $- 1/8", + 1/2"$

CANTEX
 INC.

Fort Worth, TEXAS

90° Elbows Bell End
 DB60 48" Radius Elbows

Drawn By: CD Branch

Date: 10/15/07

Ref.