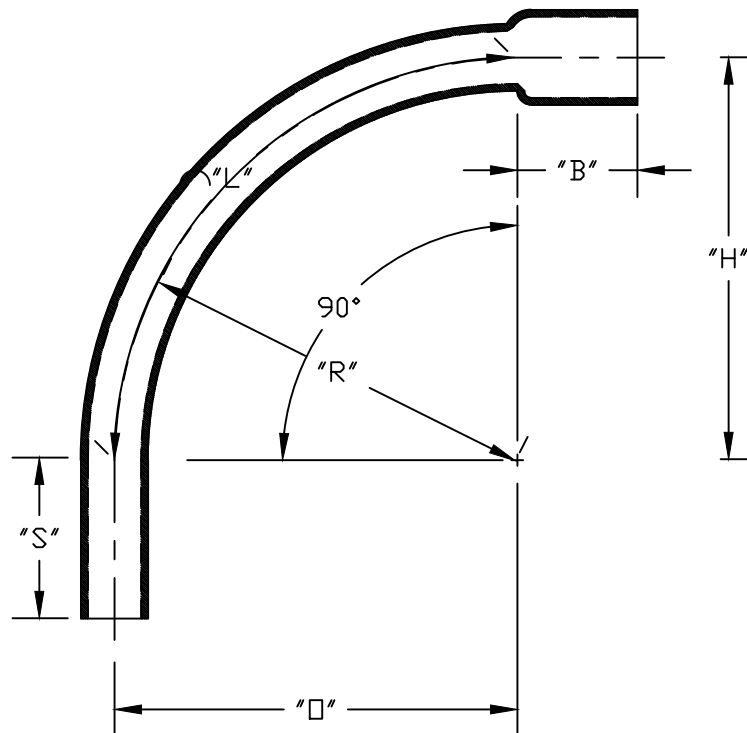


PART NUMBER	SIZE	"R"	"□"	"H"	"S" MIN	"B" MIN	"L"
5123820	1"	18"	18"	18"	1 7/8"	7/8"	28 1/4"



NOT A LISTED PRODUCT
 CONFORMS TO NEMA TC 3
 MATERIAL IS RIGID PVC
 BEND TOLERANCE IS $\pm 2^\circ$

CANTEX
 INC.
 Fort Worth, TEXAS

90° Elbows Bell End
 TC-8 18" Radius Elbows

Drawn By: O.M.

Date: 7/27/17

Ref. 5123820

All dimensions are nominal