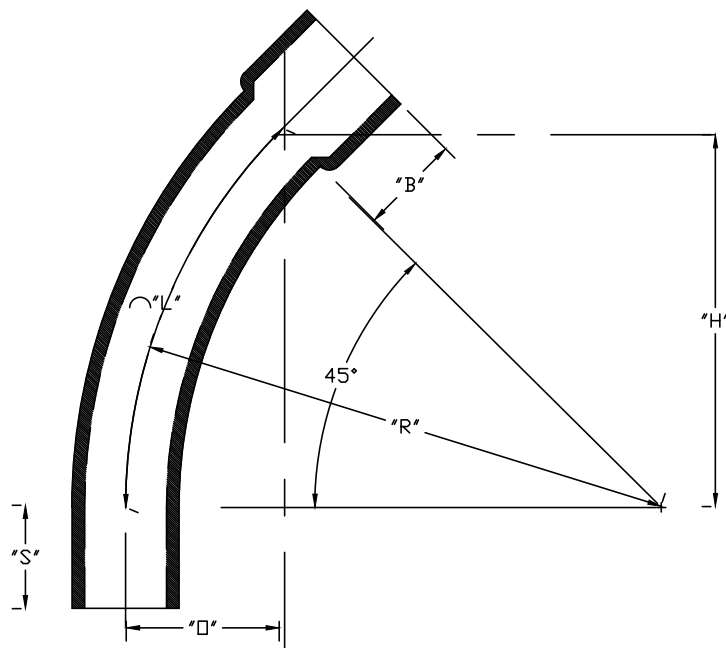


PART NUMBER	SIZE	"R"	"O"	"H"	"S" MIN	"B" MIN	"L"
5123749	4"	150"	43 $\frac{15}{16}$ "	106"	4"	1 $\frac{3}{4}$ "	117 $\frac{13}{16}$ "
5123783	5"	150"	43 $\frac{15}{16}$ "	106"	5"	2"	117 $\frac{13}{16}$ "
5123796	6"	150"	43 $\frac{15}{16}$ "	106"	6"	2 $\frac{1}{8}$ "	117 $\frac{13}{16}$ "



Meets NEMA TC 6&8
 Material is Rigid PVC
 Bend Tolerance is $\pm 2^\circ$

CANTEX INC. Fort Worth, TEXAS		
45° Elbows Bell End DB-60 150" Radius Elbows		
Drawn By: D. Gwinn	Date: 2/21/19	Ref. 5123749