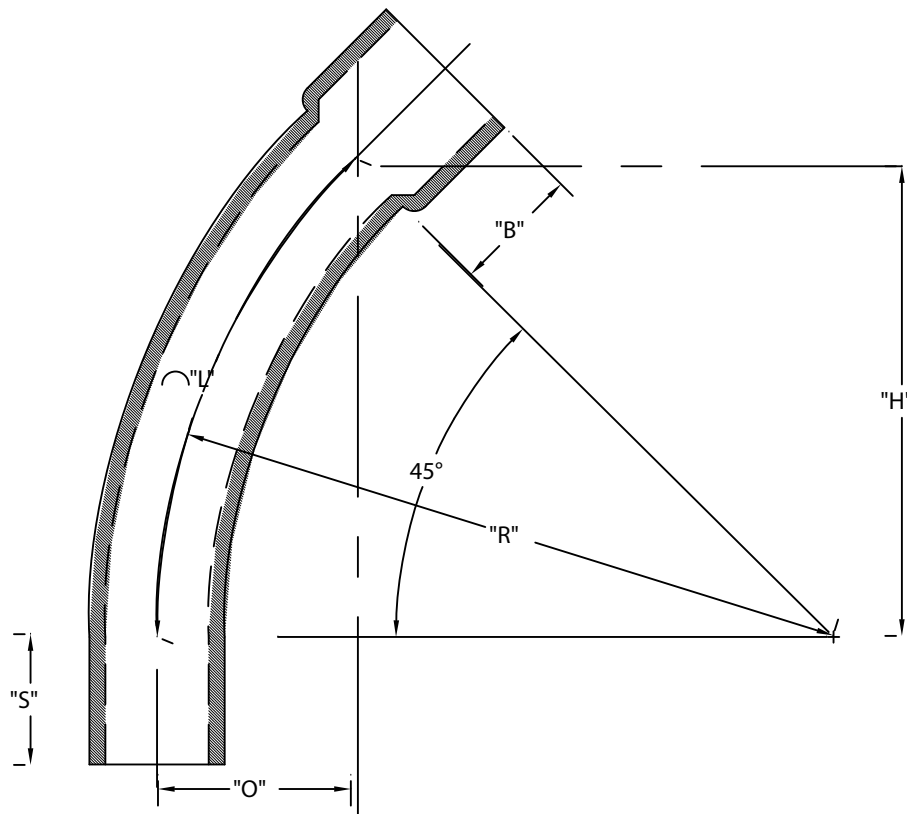


PART NUMBRT	SIZE	"R"	"O"	"H"	"S" MIN	"B" MIN	"L"
5123767	2"	24"	3 ³ / ₁₆ "	12"	2"	2"	12 ⁹ / ₁₆ "
5123771	3"	24"	3 ³ / ₁₆ "	12"	3 ¹ / ₈ "	2 ¹ / ₂ "	12 ⁹ / ₁₆ "
5123775	4"	24"	3 ³ / ₁₆ "	12"	3 ³ / ₈ "	3 ¹ / ₄ "	12 ⁹ / ₁₆ "
5123789	5"	24"	3 ³ / ₁₆ "	12"	3 ⁵ / ₈ "	4 ¹ / ₄ "	12 ⁹ / ₁₆ "



CONFORMS TO NEMA TC 6&8
 MATERIAL IS HIGH MODULUS (HM) 500,000 psi
 BEND TOLERANCE IS $\pm 2^\circ$
 "B" TOLERANCE IS $-\frac{1}{8}"$, $+\frac{1}{2}"$

CANTEX
 INC.
 Fort Worth, TEXAS

45° Elbows Bell End
 DB60 24" Radius Elbows

Drawn By: CD Branch

Date: 10/15/07

Ref.