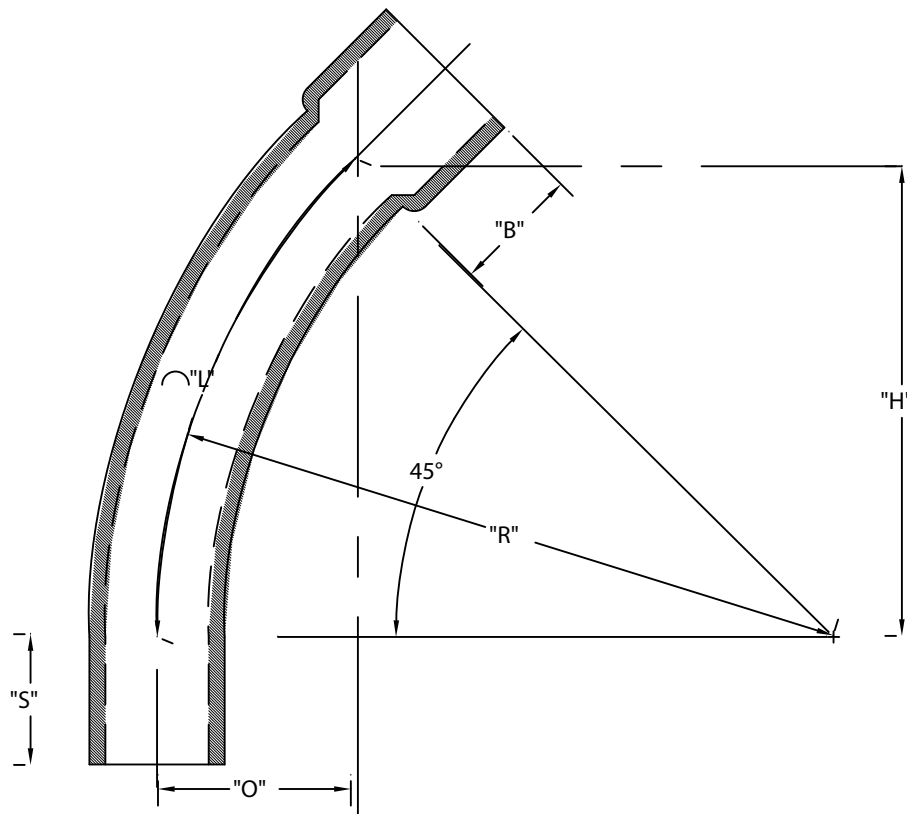


PART NUMBRT	SIZE	"R"	"O"	"H"	"S" MIN	"B" MIN	"L"
5123767	2"	24"	3 <sup>3</sup> / <sub>16</sub> "	12"	2"	2"	12 <sup>9</sup> / <sub>16</sub> "
5123771	3"	24"	3 <sup>3</sup> / <sub>16</sub> "	12"	3 <sup>1</sup> / <sub>8</sub> "	2 <sup>1</sup> / <sub>2</sub> "	12 <sup>9</sup> / <sub>16</sub> "
5123775	4"	24"	3 <sup>3</sup> / <sub>16</sub> "	12"	3 <sup>3</sup> / <sub>8</sub> "	3 <sup>1</sup> / <sub>4</sub> "	12 <sup>9</sup> / <sub>16</sub> "
5123789	5"	24"	3 <sup>3</sup> / <sub>16</sub> "	12"	3 <sup>5</sup> / <sub>8</sub> "	4 <sup>1</sup> / <sub>4</sub> "	12 <sup>9</sup> / <sub>16</sub> "



CONFORMS TO NEMA TC 6&8  
 MATERIAL IS HIGH MODULUS (HM) 500,000 psi  
 BEND TOLERANCE IS  $\pm 2^\circ$   
 "B" TOLERANCE IS  $-\frac{1}{8}"$ ,  $+\frac{1}{2}"$

**CANTEX**

INC.

Fort Worth, TEXAS

45° Elbows Bell End  
DB60 24" Radius Elbows

Drawn By: CD Branch

Date: 10/15/07

Ref.