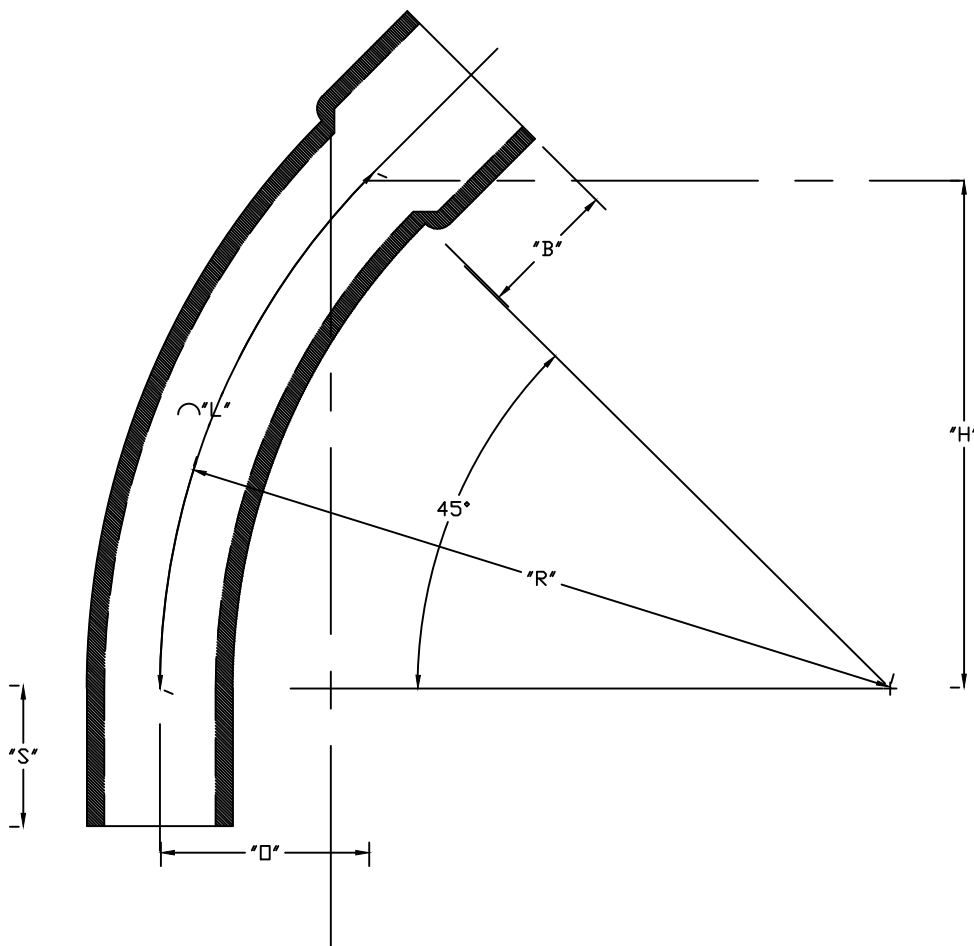


PART NUMBER	SIZE	"R"	"□"	"H"	"S" MIN	"B" MIN	"L"
5123768	2"	36"	10 1/2"	25 7/16"	2"	1 1/8"	28 1/4"
5123772	3"	36"	10 1/2"	25 7/16"	3 1/8"	1 5/8"	28 1/4"
5123776	4"	36"	10 1/2"	25 7/16"	3 3/8"	1 3/4"	28 1/4"
5123780	5"	36"	10 1/2"	25 7/16"	3 5/8"	2"	28 1/4"
5123784	6"	36"	10 1/2"	25 7/16"	3 3/4"	2 1/8"	28 1/4"



NOT A LISTED PRODUCT
 CONFORMS TO NEMA TC 3
 MATERIAL IS RIGID PVC
 BEND TOLERANCE IS ±2°

CANTEX INC. Fort Worth, TEXAS		
45° Elbows Bell End TC-6 36" Radius Elbows		
Drawn By: O.M.	Date: 7/27/17	Ref. 5123768

All dimensions are nominal