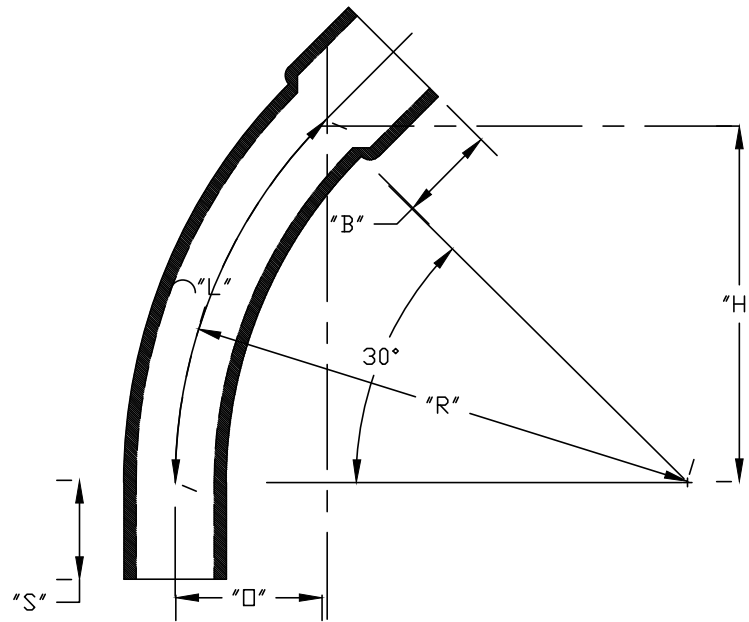


PART NUMBER	SIZE	"R"	"O"	"H"	"S" MIN	"B" MIN	"L"
5123765	4"	150"	20 1/8"	75"	3 3/8"	1 3/4"	78 9/16"



NOT A LISTED PRODUCT
 CONFORMS TO NEMA TC 6&8
 MATERIAL IS RIGID PVC
 BEND TOLERANCE IS ±2°

CANTEX
 INC.
 Fort Worth, TEXAS

30° Elbows Bell End
 TC-6 150" Radius Elbows

Drawn By: D. Gwinn Date: 3/11/19 Ref. 5123765