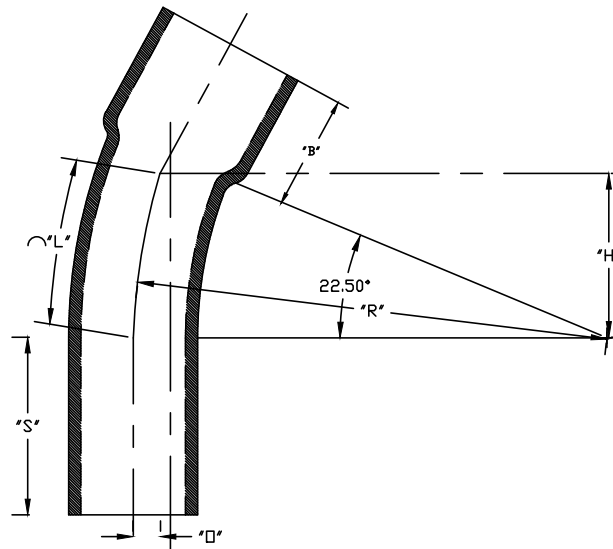


PART NUMBER	SIZE	"R"	"D"	"H"	"S" MIN	"B" MIN	"L"
5123752	2"	150"	11 $\frac{3}{8}$ "	57 $\frac{3}{8}$ "	2"	1 $\frac{1}{8}$ "	58 $\frac{7}{8}$ "
5123743	3"	150"	11 $\frac{3}{8}$ "	57 $\frac{3}{8}$ "	3 $\frac{1}{8}$ "	1 $\frac{5}{8}$ "	58 $\frac{7}{8}$ "
5123742	4"	150"	11 $\frac{3}{8}$ "	57 $\frac{3}{8}$ "	3 $\frac{3}{8}$ "	1 $\frac{3}{4}$ "	58 $\frac{7}{8}$ "
5123763	5"	150"	11 $\frac{3}{8}$ "	57 $\frac{3}{8}$ "	3 $\frac{5}{8}$ "	2"	58 $\frac{7}{8}$ "
5123917	6"	150"	11 $\frac{3}{8}$ "	57 $\frac{3}{8}$ "	3 $\frac{3}{4}$ "	2 $\frac{1}{8}$ "	58 $\frac{7}{8}$ "



Meets NEMA TC 6&8
 Material is Rigid PVC
 Bend Tolerance is $\pm 2^\circ$
 For direct burial or encasement applications

CANTEX
 INC.
 Fort Worth, TEXAS

22-1/2° Elbows Bell End
 DB-60 150" Radius Elbows

Drawn By: D. Gwinn | Date: 2/21/19 | Ref. 5123752