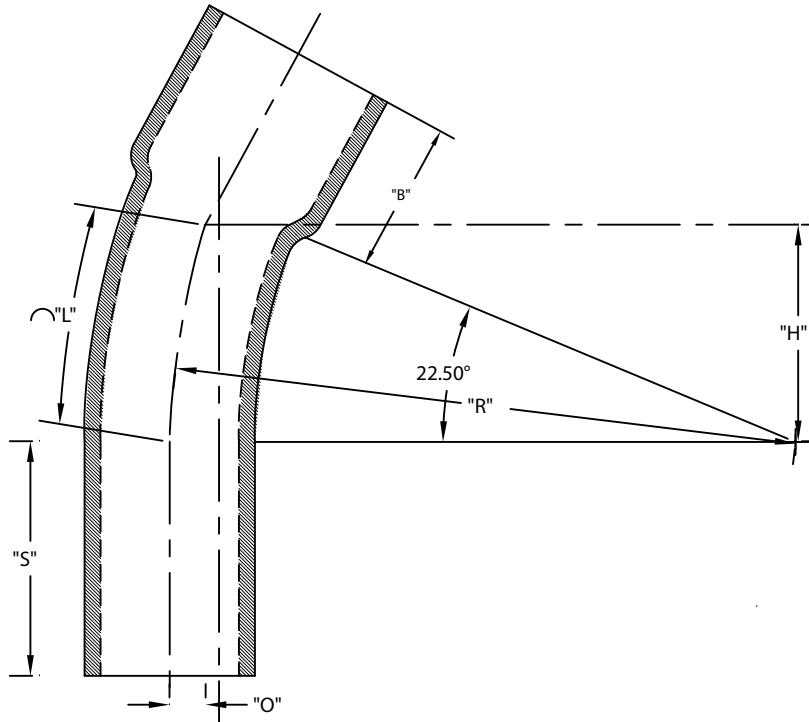


PART NUMBRT	SIZE	"R"	"O"	"H"	"S" MIN	"B" MIN	"L"
5123945	3"	18"	1 3/8"	6 7/8"	3 1/8"	2 1/2"	7 1/16"
5123740	4"	18"	1 3/8"	6 7/8"	3 3/4"	3 1/4"	7 1/16"



CONFORMS TO NEMA TC 6&8
 MATERIAL IS HIGH MODULUS (HM) 500,000 psi
 BEND TOLERANCE IS ±2°
 "B" TOLERANCE IS -1/8", +1/2"

CANTEX

INC.

Fort Worth, TEXAS

22-1/2° Elbows Bell End
 DB60 18" Radius Elbows

Drawn By: CD Branch

Date: 10/15/07

Ref.