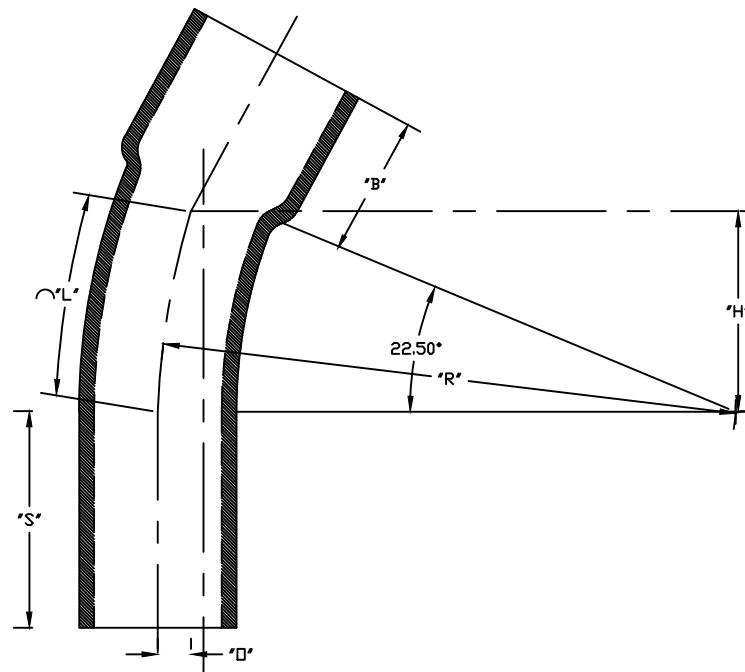


| PART NUMBER | SIZE | "R" | "D" | "H" | "S" MIN | "B" MIN | "L" |
|-------------|------|-----|--------|---------|---------|---------|---------|
| 5123738 | 4" | 48" | 3 5/8" | 18 3/8" | 3 3/8" | 1 3/4" | 18 7/8" |
| 5123739 | 5" | 48" | 3 5/8" | 18 3/8" | 3 5/8" | 2" | 18 7/8" |



NOT A LISTED PRODUCT
 CONFORMS TO NEMA TC 3
 MATERIAL IS RIGID PVC
 BEND TOLERANCE IS ±2°

| | | |
|---|---------------|--------------|
| CANTEX INC. Fort Worth, TEXAS | | |
| 22-1/2° Elbows Bell End TC-6 48" Radius Elbows | | |
| Drawn By: O.M. | Date: 7/27/17 | Ref. 5123738 |

All dimensions are nominal