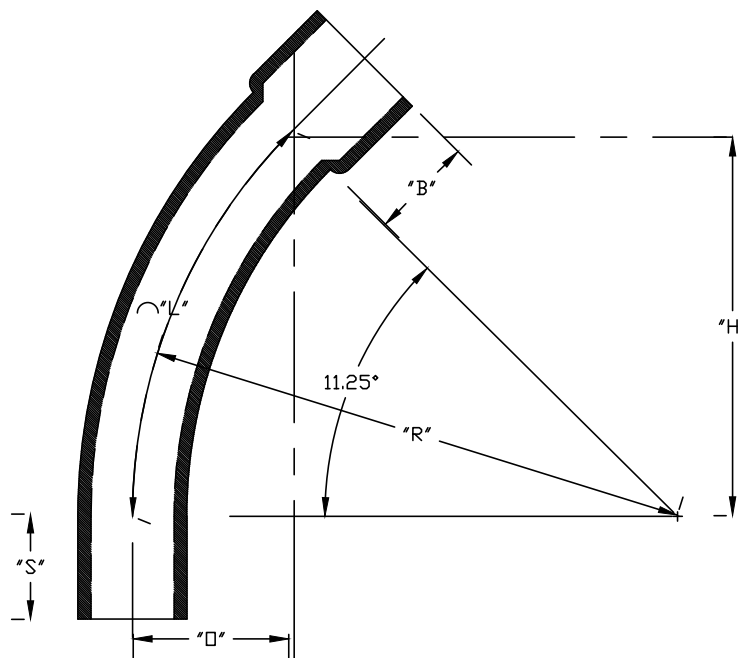


PART NUMBER	SIZE	"R"	"S" MIN	"B" MIN	"L"
5123723	5'	144	3 5/8"	2"	28.27"



NOT A LISTED PRODUCT
 CONFORMS TO NEMA TC 6&8
 MATERIAL IS RIGID PVC
 BEND TOLERANCE IS $\pm 2^\circ$

CANTEX
 INC.
 Fort Worth, TEXAS

11 1/4° Elbows Bell End
 TC-6 144" Radius Elbow

Drawn By: D. Gwinn | Date: 3/11/19 | Ref. 5123723